

# HiRel FPGAs

## Features

- Highly Predictable Performance with 100 Percent Automatic Placement and Routing
- Device Sizes from 1200 to 20,000 gates
- Up to 6, Fast, Low-Skew Clock Networks
- Up to 202 User-Programmable I/O Pins
- More Than 500 Macro Functions
- Up to 1276 Dedicated Flip-Flops
- I/O Drive to 10 mA
- Devices Available to DSCC SMD
- CQFP and CPGA Packaging
- Nonvolatile, User Programmable
- Logic Fully Tested Prior to Shipment

## ACT 3 Features

- Highest-Performance, Highest-Capacity FPGA Family
- System Performance to 60 MHz over Military Temperature
- Low-Power 0.8-micron CMOS Technology

## 3200DX

- 100 MHz System Logic Integration
- Highest Speed FPGA SRAM, up to 2.5 Kbits Configurable Dual-Port SRAM
- Fast Wide-Decode Circuitry

## 1200XL Features

- Pin for Pin Compatible with ACT 2
- System Performance to 50 MHz over Military Temperature
- Low-Power 0.6-micron CMOS Technology

## ACT 2 Features

- Best-Value, High-Capacity FPGA Family
- System Performance to 40 MHz over Military Temperature
- Low-Power 1.0-micron CMOS Technology

## ACT 1 Features

- Lowest-Cost FPGA Family
- System Performance to 20 MHz over Military Temperature
- Low-Power 1.0-micron CMOS Technology

## Product Family Profile

Device	Family	ACT 3			3200DX		1200XL
		A1425A	A1460A	A14100A	A32100DX	A32200DX	A1280XL
Capacity							
Logic Gates		2,500	6,000	10,000	10,000	20,000	8,000
SRAM Bits		NA	NA	NA	2,048	2,560	
Logic Modules		310	848	1377	1362	2414	1,232
S-Modules		160	432	697	700	1230	624
C-Modules		150	416	680	662	1184	608
Decode		NA	NA	NA	20	24	NA
Flip-Flops (maximum)		435	976	1493	738	1276	998
User I/Os (maximum)		100	168	228	152	202	140
Packages <sup>1</sup> (by pin count)							
CPGA		133	207	257			176
CQFP		132	196	256	84	208, 256	172
Performance							
System Speed (maximum)		60 MHz	60 MHz	60 MHz	55 MHz	55 MHz	50 MHz

**Note:**

1. See Product Plan on page 6 for package availability.

## Product Family Profile

Device	Family	ACT 2		ACT 1	
		A1240A	A1280A	A1010B	A1020B
Capacity					
Logic Gates		4,000	8,000	1,200	2,000
SRAM Bits		NA	NA	NA	NA
Logic Modules		684	1232	295	547
S-Modules		348	624	—	—
C-Modules		336	608	295	547
Decode		NA	NA	NA	NA
Flip-Flops (maximum)		568	998	147	273
User I/Os (maximum)		104	140	57	69
Packages <sup>1</sup> (by pin count)					
CPGA		132	176	84	84
CQFP		—	172	—	84
Performance					
System Speed (maximum)		40 MHz	40 MHz	20 MHz	20 MHz

**Note:**

1. See Product Plan on page 6 for package availability.

### High-Reliability, Low-Risk Solution

Actel builds the most reliable field programmable gate arrays (FPGAs) in the industry, with overall antifuse reliability ratings of less than 10 Failures-In-Time (FITs), corresponding to a useful life of more than 40 years. Actel FPGAs have been production proven, with more than five million devices shipped and more than one trillion antifuses manufactured. Actel devices are fully tested prior to shipment, with an outgoing defect level of only 122 ppm. (Further reliability data is available in the “Actel Device Reliability Report.”)

### 100 Percent Tested

Device functionality is fully tested before shipment and during device programming. Routing tracks, logic modules, and programming, debug, and test circuits are 100 percent tested before shipment. Antifuse integrity also is tested before shipment. Programming algorithms are tested when a device is programmed using Actel’s Activator<sup>®</sup> 2 or Activator 2S programming stations.

### Benefits

**No Cost Risk**—Once you have a Designer/Designer Advantage<sup>™</sup> System, Actel’s CAE software and programming package, you can produce as many chips as you like for just the cost of the device itself, with no NRE charges to eat up your development budget every time you want to try out a new design.

**No Time Risk**—After entering your design, placement and routing is automatic, and programming the device takes only about 5 to 15 minutes for an average design. You save time in the design entry process by using tools that are familiar to you. The Designer/Designer Advantage System software interfaces with popular CAE packages such as Cadence, Mentor Graphics, OrCAD, and Viewlogic, running on platforms such as HP, Sun, and PC. In addition, synthesis capability is provided with support of synthesis tools from Synopsys, IST, Exemplar, and DATA I/O.

**No Reliability Risk**—The PLICE<sup>®</sup> antifuse is a one-time programmable, nonvolatile connection. Since Actel devices are permanently programmed, no downloading from EPROM or SRAM storage is required. Inadvertent erasure is impossible, and there is no need to reload the program after power disruptions. Fabrication using a low-power CMOS process means cooler junction temperatures. Actel’s non-PLD architecture delivers lower dynamic operating current. Our reliability tests show a very low failure rate of 66 FITs at 90°C junction temperature with no degradation in AC performance. Special stress testing at wafer test eliminates infant mortalities prior to packaging.

**No Security Risk**—Reverse engineering of programmed Actel devices from optical or electrical data is extremely difficult. Programmed antifuses cannot be identified from a photograph or by using a SEM. The antifuse map cannot be deciphered either electrically or by microprobing. Each

device has a silicon signature that identifies its origins, down to the wafer lot and fabrication facility.

**No Testing Risk**—Unprogrammed Actel parts are fully tested at the factory. This includes the logic modules, interconnect tracks, and I/Os. AC performance is ensured by special speed path tests, and programming circuitry is verified on test antifuses. During the programming process, an algorithm is run to ensure that all antifuses are correctly programmed. In addition, Actel's Actionprobe® diagnostic tools allow 100 percent observability of all internal nodes to check and debug your design.

### Actel FPGA Description

The Actel families of FPGAs offer a variety of packages, speed/performance characteristics, and processing levels for use in all high-reliability and military applications. Devices are implemented in a silicon gate, two-level metal CMOS process, utilizing Actel's PLICE antifuse technology. This unique architecture offers gate array flexibility, high performance, and quick turnaround through user programming. Device utilization is typically 95 percent of available logic modules.

Actel devices also provide system designers with on-chip diagnostic probe/debug capability, allowing the user to observe 100 percent of the nodes within the design, even while the device is operating in-system. All Actel devices include on-chip clock drivers and a hard-wired distribution network.

User-definable I/Os are capable of driving at both TTL and CMOS drive levels. Available packages for the military are the Ceramic Quad Flat Pack (CQFP) and the Ceramic Pin Grid Array (CPGA). See Product Plan on page 6 for details.

All Actel FPGAs are supported by the Actel Designer Series, which offers automatic or user-definable pin assignment, validation of electrical and design rules, automatic placement and routing, timing analysis, user programming, and debug/diagnostic probe capabilities. The Designer Series fully supports schematic capture and backannotated simulation through design kits for Cadence, Mentor Graphics, OrCAD, and Viewlogic. Synthesis is supported with kits for use with synthesis tools from Synopsys, IST, Exemplar, and DATA I/O.

Also available is the ACTmap™ VHDL optimization and synthesis tool that provides logic synthesis and optimization from PAL language or VHDL description inputs. An FPGA macro generator (ACTgen Macro Builder) is provided, allowing the user easily to create higher-level functions such as counters and adders. Finally, ChipEdit is a graphical/visual design tool that allows the user to modify the automatic place and route results.

### ACT 3 Description

The ACT 3 family is the third-generation Actel FPGA family. This family offers the highest-performance and highest-capacity devices, ranging from 2,500 to 10,000 gates, with system performance to 60 MHz over the military temperature range. The devices have four clock distribution networks, including dedicated array and I/O clocks. In addition, the ACT 3 family offers the highest I/O-to-gate ratio available. ACT 3 devices are manufactured using 0.8 micron CMOS technology.

### 1200XL/3200DX Description

3200DX and 1200XL FPGAs were designed to integrate system logic which is typically implemented in multiple CPLDs, PALs and FPGAs. These devices provide the features and performance required for today's complex, high-speed digital logic systems. The 3200DX family offers the industry's fastest dual-port SRAM for implementing fast FIFOs, LIFOs and temporary data storage.

### ACT 2 Description

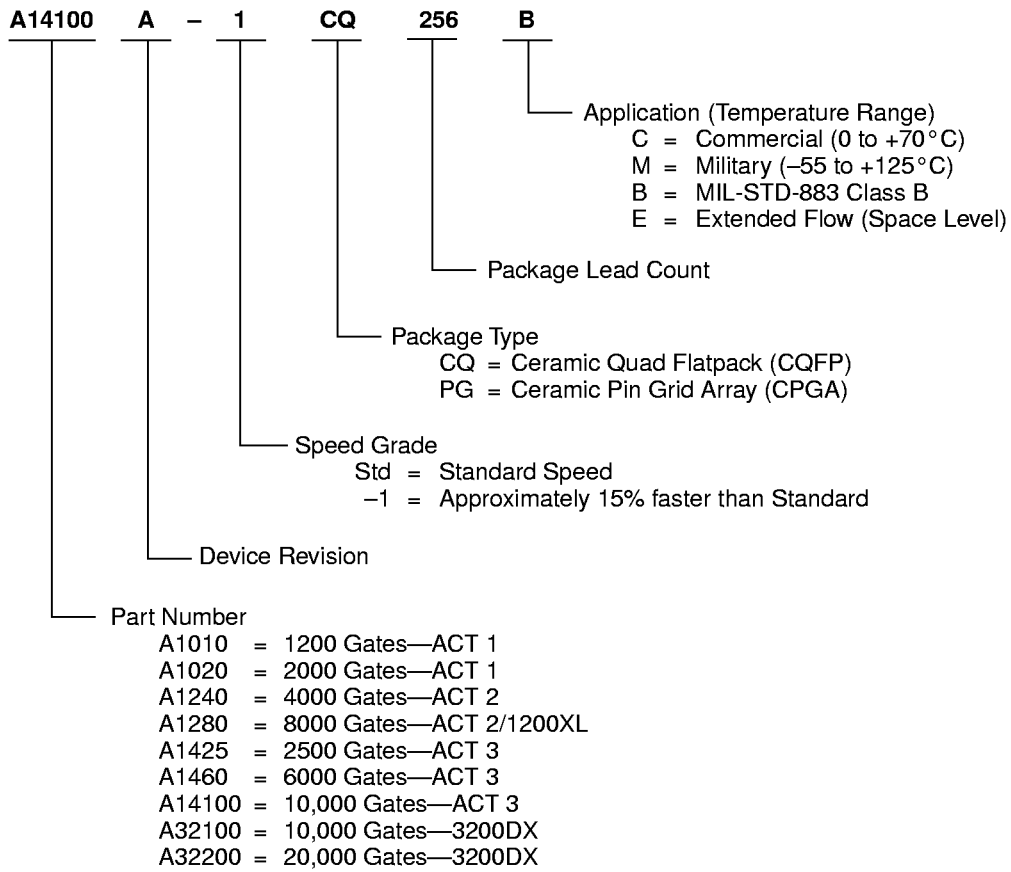
The ACT 2 family is the second-generation Actel FPGA family. This family offers the best-value, high-capacity devices, ranging from 4,000 to 8,000 gates, with system performance to 40 MHz over the military temperature range. The devices have two routed array clock distribution networks. ACT 2 devices are manufactured using 1.0 micron CMOS technology.

### ACT 1 Description

The ACT 1 family is the first Actel FPGA family and the first antifuse-based FPGA. This family offers the lowest-cost logic integration, with devices ranging from 1,200 to 2,000 gates, with system performance to 20 MHz over the military temperature range. The devices have one routed array clock distribution network. ACT 1 devices are manufactured using 1.0 micron CMOS technology.



## Military Device Ordering Information



## DESC SMD/Actel Part Number Cross Reference

<b>Actel Part Number (Gold Leads)</b>	<b>DSCC SMD (Gold Leads)</b>	<b>DSCC SMD (Solder Dipped)</b>
A1010B-PG84B	5962-9096403MXC	5962-9096403MXA
A1010B-1PG84B	5962-9096404MXC	5962-9096404MXA
A1020B-PG84B	5962-9096503MUC	5962-9096503MUA
A1020B-1PG84B	5962-9096504MUC	5962-9096504MUA
A1020B-CQ84B	5962-9096503MTC	5962-9096503MTA
A1020B-1CQ84B	5962-9096504MTC	5962-9096504MTA
A1240A-PG132B	5962-9322101MXC	5962-9322101MXA
A1240A-1PG132B	5962-9322102MXC	5962-9322102MXA
A1280A-PG176B	5962-9215601MXC	5962-9215601MXA
A1280A-1PG176B	5962-9215602MXC	5962-9215602MXA
A1280A-CQ172B	5962-9215601MYC	5962-9215601MYA
A1280A-1CQ172B	5962-9215602MYC	5962-9215602MYA
A1425A-PG133B	5962-9552001MXC	5962-9552001MXA
A1425A-1PG133B	5962-9552002MXC	5962-9552002MXA
A1425A-CQ132B	5962-9552001MYC	5962-9552001MYA
A1425A-1CQ132B	5962-9552002MYC	5962-9552002MYA
A1460A-PG207B	5962-9550801MXC	5962-9550801MXA
A1460A-1PG207B	5962-9550802MXC	5962-9550802MXA
A1460A-CQ196B	5962-9550801MYC	5962-9550801MYA
A1460A-1CQ196B	5962-9550802MYC	5962-9550802MYA
A14100A-PG257B	5962-9552101MXC	5962-9552101MXA
A14100A-1PG257B	5962-9552102MXC	5962-9552102MXA
A14100A-CQ256B	5962-9552101MYC	5962-9552101MYA
A14100A-1CQ256B	5962-9552102MYC	5962-9552102MYA
A32100DX-CQ84B	TBD	TBD
A32100DX-1CQ84B	TBD	TBD
A32200DX-CQ208B	TBD	TBD
A32200DX-1CQ208B	TBD	TBD



## 3200DX Device Resources

FPGA Device Type	Logic Modules	Gate Array Equivalent Gates	User I/Os		
			CQFP		
			84-pin	208-pin	256-pin
A32100DX	1362	10,000	60	—	—
A32200DX	2414	20,000	—	176	202

## ACT 3 Device Resources

FPGA Device Type	Logic Modules	Gate Array Equivalent Gates	User I/Os					
			CQFP			CPGA		
			132-pin	196-pin	256-pin	133-pin	207-pin	257-pin
A1425A	310	2500	100	—	—	100	—	—
A1460A	848	6000	—	168	—	—	168	—
A14100A	1377	10,000	—	—	228	—	—	228

## 1200XL Device Resources

FPGA Device Type	Logic Modules	Gate Array Equivalent Gates	User I/Os	
			CQFP	CPGA
			172-pin	176-pin
A1280XL	1232	8000	140	140

## ACT 2 Device Resources

FPGA Device Type	Logic Modules	Gate Array Equivalent Gates	User I/Os		
			CQFP	CPGA	
			172-pin	132-pin	176-pin
A1240A	684	4000	—	104	—
A1280A	1232	8000	140	—	140

## ACT 1 Device Resources

FPGA Device Type	Logic Modules	Gate Array Equivalent Gates	User I/Os	
			CQFP	CPGA
			84-pin	84-pin
A1010B	295	1200	—	57
A1020B	547	2000	69	69

## Pin Description

**CLK** Clock (Input)  
ACT 1 only. TTL Clock input for global clock distribution network. The Clock input is buffered prior to clocking the logic modules. This pin can also be used as an I/O.

**CLKA** Clock A (Input)  
ACT 3, 1200XL, and ACT 2 only. TTL Clock input for global clock distribution networks. The Clock input is buffered prior to clocking the logic modules. This pin can also be used as an I/O.

**CLKB**            Clock B (Input)  
ACT 3, 1200XL, and ACT 2 only. TTL Clock input for global clock distribution networks. The Clock input is buffered prior to clocking the logic modules. This pin can also be used as an I/O.

**DCLK**            Diagnostic Clock (Input)  
TTL Clock input for diagnostic probe and device programming. DCLK is active when the MODE pin is HIGH. This pin functions as an I/O when the MODE pin is LOW.

**GND**            Ground  
LOW supply voltage.

**HCLK**            Dedicated (Hard-wired) Array  
Clock (Input)  
ACT 3 only. TTL Clock input for sequential modules. This input is directly wired to each S-module and offers clock speeds independent of the number of S-modules being driven. This pin can also be used as an I/O.

**I/O**            Input/Output (Input, Output)  
I/O pin functions as an input, output, tristate, or bidirectional buffer. Input and output levels are compatible with standard TTL and CMOS specifications. Unused I/O pins are automatically driven LOW.

**IOCLK**          Dedicated (Hard-wired) I/O  
Clock (Input)  
ACT 3 only. TTL Clock input for I/O modules. This input is directly wired to each I/O module and offers clock speeds independent of the number of I/O modules being driven. This pin can also be used as an I/O.

**IOPCL**          Dedicated (Hard-wired) I/O  
Preset/Clear (Input)  
ACT 3 only. TTL input for I/O preset or clear. This global input is directly wired to the preset and clear inputs of all I/O registers. This pin functions as an I/O when no I/O preset or clear macros are used.

**MODE**          Mode (Input)  
The MODE pin controls the use of diagnostic pins (DCLK, PRA, PRB, SDI). When the MODE pin is HIGH, the special functions are active. When the MODE pin is LOW, the pins function as I/Os. When the MODE pin is LOW, the pins function as I/Os. To provide Actionprobe capability, the MODE pin should be terminated to GND through a 10K resistor so that the MODE pin can be pulled high when required.

**NC**            No Connection  
This pin is not connected to circuitry within the device.

**PRA/I/O**        Probe A (Output)  
The Probe A pin is used to output data from any user-defined design node within the device. This independent diagnostic pin can be used in conjunction with the Probe B pin to allow real-time diagnostic output of any signal path within the device. The Probe A pin can be used as a user-defined I/O when debugging has been completed. The pin's probe capabilities can be permanently disabled to protect programmed design confidentiality. PRA is accessible when the MODE pin is HIGH. This pin functions as an I/O when the MODE pin is LOW.

**PRB/I/O**        Probe B (Output)  
The Probe B pin is used to output data from any user-defined design node within the device. This independent diagnostic pin can be used in conjunction with the Probe A pin to allow real-time diagnostic output of any signal path within the device. The Probe B pin can be used as a user-defined I/O when debugging has been completed. The pin's probe capabilities can be permanently disabled to protect programmed design confidentiality. PRB is accessible when the MODE pin is HIGH. This pin functions as an I/O when the MODE pin is LOW.

**SDI**            Serial Data Input (Input)  
Serial data input for diagnostic probe and device programming. SDI is active when the MODE pin is HIGH. This pin functions as an I/O when the MODE pin is LOW.

**V<sub>CC</sub>**            5V Supply Voltage  
HIGH supply voltage.

**QCLKA/B,C,D**    Quadrant Clock (Input/Output)  
These four pins are the quadrant clock inputs. When not used as a register control signal, these pins can function as general purpose I/O.

**TCK**            Test Clock  
Clock signal to shift the JTAG data into the device. This pin functions as an I/O when the JTAG fuse is not programmed.

**TDI**            Test Data In  
Serial data input for JTAG instructions and data. Data is shifted in on the rising edge of TCLK. This pin functions as an I/O when the JTAG fuse is not programmed.

**TDO**            Test Data Out  
Serial data output for JTAG instructions and test data. This pin functions as an I/O when the JTAG fuse is not programmed.

**TMS**            Test Mode Select  
Serial data input for JTAG test mode. Data is shifted in on the rising edge of TCLK. This pin functions as an I/O when the JTAG fuse is not programmed.



## Actel MIL-STD-883 Product Flow

Step	Screen	833 Method	833—Class B Requirement
1.0	Internal Visual	2010, Test Condition B	100%
2.0	Temperature Cycling	1010, Test Condition C	100%
3.0	Constant Acceleration	2001, Test Condition E (min), Y1, Orientation Only	100%
4.0	Seal a.Fine b.Gross	1014	100% 100%
5.0	Visual Inspection	2009	100%
6.0	Pre-burn-in Electrical Parameters	In accordance with Actel applicable device specification	100%
7.0	Burn-in Test	1015 Condition D 160 hours @ 125°C Min.	100%
8.0	Interim (Post-burn-in) Electrical Parameters	In accordance with Actel applicable device specification	100%
9.0	Percent Defective Allowable	5%	All Lots
10.0	Final Electrical Test	In accordance with Actel applicable device specification	
	a. Static Tests		100%
	(1) 25°C (Subgroup 1, Table I, 5005)		
	(2) -55°C and +125°C (Subgroups 2, 3, Table I, 5005)		
	b. Dynamic and Functional Tests		100%
	(1) 25°C (Subgroup 7, Table I, 5005)		
	(2) -55°C and +125°C (Subgroups 8A and 8B, Table I, 5005)		
	c. Switching Tests at 25°C (Subgroup 9, Table I, 5005)		100%
11.0	Qualification or Quality Confirmation Inspection Test Sample Selection (Group A and Group B)	5005	All Lots
12.0	External Visual	2009	100%

Actel Extended Flow<sup>1, 2</sup>

Screen	Method	Requirement
1. Wafer Lot Acceptance <sup>3</sup>	5007 with step coverage waiver	All Lots
2. Destructive In-Line Bond Pull <sup>4</sup>	2011, condition D	Sample
3. Internal Visual	2010, condition A	100%
4. Serialization		100%
5. Temperature Cycling	1010, condition C	100%
6. Constant Acceleration	2001, condition E (min), Y <sub>1</sub> orientation only	100%
7. Visual Inspection	2009	100%
8. Particle Impact Noise Detection	2020, condition A	100%
9. Radiographic	2012	100%
10. Pre-burn-in Test	In accordance with Actel applicable device specification	100%
11. Burn-in Test	1015, condition D, 240 hours @ 125°C minimum	100%
12. Interim (Post-burn-in) Electrical Parameters	In accordance with Actel applicable device specification	100%
13. Reverse Bias Burn-in	1015, condition C, 72 hours @ 150°C minimum	100%
14. Interim (Post-burn-in) Electrical Parameters	In accordance with Actel applicable device specification	100%
15. Percent Defective Allowable (PDA) Calculation	5%, 3% functional parameters @ 25°C	All Lots
16. Final Electrical Test	In accordance with Actel applicable device specification	100%
a. Static Tests		100%
(1) 25°C (Subgroup 1, Table1)	5005	
(2) -55°C and +125°C (Subgroups 2, 3, Table 1)	5005	
b. Dynamic and Functional Tests		100%
(1) 25°C (Subgroup 7, Table 15)	5005	
(2) -55°C and +125°C (Subgroups 5 and 6, 8a and b, Table 1)	5005	
c. Switching Tests at 25°C (Subgroup 9, Table I, 5005)	5005	100%
17. Seal	1014	100%
a. Fine		
b. Gross		
18. Qualification or Quality Conformance Inspection Test Sample Selection	5005	Group A & Group B
19. External Visual	2009	100%

**Notes:**

1. Actel offers the Extended Flow in order to satisfy those customers that require additional screening beyond the requirements of MIL-STD-883, Class B. Actel is compliant to the requirements of MIL-STD-883, Paragraph 1.2.1, and MIL-I-38535, Appendix A. Actel is offering this extended flow incorporating the majority of the screening procedures as outlined in Method 5004 of MIL-STD-883 Class S. The exceptions to Method 5004 are shown in notes 2 to 4 below.
2. Method 5004 requires a 100 percent Radiation latch-up testing to Method 1020. Actel will not be performing any radiation testing, and this requirement must be waived in its entirety.
3. Wafer lot acceptance is performed to Method 5007; however the step coverage requirement as specified in Method 2018 must be waived.
4. Method 5004 requires a 100 percent, nondestructive bond pull to Method 2023. Actel substitutes a destructive bond pull to Method 2011, condition D on a sample basis only.

Absolute Maximum Ratings<sup>1</sup>

## Free air temperature range

Symbol	Parameter	Limits	Units
V <sub>CC</sub>	DC Supply Voltage <sup>2, 3, 4</sup>	-0.5 to +7.0	V
V <sub>I</sub>	Input Voltage	-0.5 to V <sub>CC</sub> +0.5	V
V <sub>O</sub>	Output Voltage	-0.5 to V <sub>CC</sub> +0.5	V
I <sub>IO</sub>	I/O Source Sink Current <sup>5</sup>	±20	mA
T <sub>STG</sub>	Storage Temperature	-65 to +150	°C

**Notes:**

1. Stresses beyond those listed under "Absolute Maximum Ratings" may cause permanent damage to the device. Exposure to absolute maximum rated conditions for extended periods may affect device reliability. Device should not be operated outside the recommended operating conditions.
2. Device inputs are normally high impedance and draw extremely low current. However, when input voltage is greater than V<sub>CC</sub> + 0.5 V or less than GND - 0.5 V, the internal protection diode will be forward biased and can draw excessive current.

## Package Thermal Characteristics

The device junction to case thermal characteristic is  $\theta_{jc}$ , and the junction to ambient air characteristic is  $\theta_{ja}$ . The thermal characteristics for  $\theta_{ja}$  are shown with two different air flow rates.

## Recommended Operating Conditions

Parameter	Commercial	Military	Units
Temperature Range <sup>1</sup>	0 to +70	-55 to +125	°C
Power Supply Tolerance	±5	±10	%V <sub>CC</sub>

**Note:**

1. Ambient temperature ( $T_A$ ) is used for commercial and industrial; case temperature ( $T_C$ ) is used for military.

Maximum junction temperature is 150°C.

A sample calculation of the absolute maximum power dissipation allowed for a CPGA 176-pin package at military temperature is as follows:

$$\frac{\text{Max. junction temp. (°C)} - \text{Max. military temp.}}{\theta_{ja} \text{ (°C/W)}} = \frac{150^\circ\text{C} - 125^\circ\text{C}}{23^\circ\text{C/W}} = 1.1 \text{ W}$$

Package Type	Pin Count	$\theta_{jc}$	$\theta_{ja}$ Still Air	$\theta_{ja}$ 300 ft/min	Units
Ceramic Pin Grid Array	84	20	33	20	°C/W
	132	20	26	16	°C/W
	133	20	37	24	°C/W
	176	20	23	12	°C/W
	207	20	22	14	°C/W
	257	20	21	13	°C/W
Ceramic Quad Flatpack	84	13	40	25	°C/W
	132	13	55	30	°C/W
	172	13	25	15	°C/W
	196	13	36	24	°C/W
	256	13	30	18	°C/W

## Electrical Specifications

Symbol	Parameter	Test Condition	Commercial		Military		Units
			Min.	Max.	Min.	Max.	
V <sub>OH</sub> <sup>1, 2</sup>	HIGH Level Output	I <sub>OH</sub> = -4 mA (CMOS)			3.7		V
		I <sub>OH</sub> = -6 mA (CMOS)	3.84				V
V <sub>OL</sub> <sup>1, 2</sup>	LOW Level Output	I <sub>OL</sub> = +6 mA (CMOS)		0.33		0.4	V
V <sub>IH</sub>	HIGH Level Input	TTL Inputs	2.0	V <sub>CC</sub> + 0.3	2.0	V <sub>CC</sub> + 0.3	V
V <sub>IL</sub>	LOW Level Input	TTL Inputs	-0.3	0.8	-0.3	0.8	V
I <sub>IN</sub>	Input Leakage	V <sub>I</sub> = V <sub>CC</sub> or GND	-10	+10	-10	+10	μA
I <sub>OZ</sub>	3-state Output Leakage	V <sub>O</sub> = V <sub>CC</sub> or GND	-10	+10	-10	+10	μA
C <sub>IO</sub>	I/O Capacitance <sup>3, 4</sup>			10		10	pF
I <sub>CC(S)</sub>	Standby V <sub>CC</sub> Supply Current	V <sub>I</sub> = V <sub>CC</sub> or GND, I <sub>O</sub> = 0 mA					
		ACT 1		3		20	mA
		ACT 2/3/1200XL/3200DX		2		20	mA
I <sub>CC(D)</sub>	Dynamic V <sub>CC</sub> Supply Current	See "Power Dissipation" Section					

### Notes:

1. Actel devices can drive and receive either CMOS or TTL signal levels. No assignment of I/Os as TTL or CMOS is required.
2. Tested one output at a time, V<sub>CC</sub> = min.
3. Not tested; for information only.
4. V<sub>OUT</sub> = 0V, f = 1 MHz

### General Power Equation

$$P = [I_{CC\text{standby}} + I_{CC\text{active}}] * V_{CC} + I_{OL} * V_{OL} * N + I_{OH} * (V_{CC} - V_{OH}) * M$$

Where:

I<sub>CCstandby</sub> is the current flowing when no inputs or outputs are changing.

I<sub>CCactive</sub> is the current flowing due to CMOS switching.

I<sub>OL</sub>, I<sub>OH</sub> are TTL sink/source currents.

V<sub>OL</sub>, V<sub>OH</sub> are TTL level output voltages.

N equals the number of outputs driving TTL loads to V<sub>OL</sub>.

M equals the number of outputs driving TTL loads to V<sub>OH</sub>.

An accurate determination of N and M is problematical because their values depend on the family type, on design details, and on the system I/O. The power can be divided into two components—static and active.

### Static Power Component

Actel FPGAs have small static power components that result in power dissipation lower than that of PALs or PLDs. By integrating multiple PALs or PLDs into one FPGA, an even greater reduction in board-level power dissipation can be achieved.

The power due to standby current is typically a small component of the overall power. Standby power is calculated below for commercial, worst-case conditions.

Family	I <sub>CC</sub>	V <sub>CC</sub>	Power
ACT 1	3 mA	5.25 V	15.8 mW
1200XL/3200DX	2 mA	5.25V	10.5 mW
ACT 2	2 mA	5.25 V	10.5 mW
ACT 3	2 mA	5.25 V	10.5 mW

The static power dissipated by TTL loads depends on the number of outputs driving high or low and the DC load current. Again, this value is typically small. For instance, a 32-bit bus sinking 4 mA at 0.33 V will generate 42 mW with all outputs driving low, and 140 mW with all outputs driving high.

### Active Power Component

Power dissipation in CMOS devices is usually dominated by the active (dynamic) power dissipation. This component is frequency dependent, a function of the logic and the external I/O. Active power dissipation results from charging internal chip capacitances of the interconnect, unprogrammed antifuses, module inputs, and module outputs, plus external capacitance due to PC board traces and load device inputs. An additional component of the active power dissipation is the totem-pole current in CMOS transistor pairs. The net effect can be associated with an equivalent capacitance that

can be combined with frequency and voltage to represent active power dissipation.

#### Equivalent Capacitance

The power dissipated by a CMOS circuit can be expressed by the Equation 1

$$\text{Power (uW)} = C_{EQ} * V_{CC}^2 * F \quad (1)$$

where:

$C_{EQ}$  is the equivalent capacitance expressed in pF.

$V_{CC}$  is the power supply in volts.

$F$  is the switching frequency in MHz.

Equivalent capacitance is calculated by measuring  $I_{CC}$  active at a specified frequency and voltage for each circuit component of interest. Measurements are made over a range of frequencies at a fixed value of  $V_{CC}$ . Equivalent capacitance is frequency independent so that the results can be used over a wide range of operating conditions. Equivalent capacitance values are shown below.

#### CEQ Values for Actel FPGAs

	1200XL			
	ACT 1	3200DX	ACT 2	ACT 3
Modules ( $C_{EQM}$ )	3.7	5.2	5.8	6.7
Input Buffers ( $C_{EQI}$ )	22.1	11.6	12.9	7.2
Output Buffers ( $C_{EQO}$ )	31.2	23.8	23.8	10.4
Routed Array Clock Buffer Loads ( $C_{EQCR}$ )	4.6	3.5	3.9	1.6
Dedicated Clock Buffer Loads ( $C_{EQCD}$ )	n/a	n/a	n/a	0.7
I/O Clock Buffer Loads ( $C_{EQCI}$ )	n/a	n/a	n/a	0.9

To calculate the active power dissipated from the complete design, the switching frequency of each part of the logic must be known. Equation 2 shows a piecewise linear summation over all components, it applies to all ACT 1, 1200XL, ACT 2, and ACT 3 devices. Since the ACT 1 family has only one routed array clock, the terms labeled routed\_Clk2, dedicated\_Clk, and IO\_Clk do not apply. Similarly, the ACT 2 family has two routed array clocks, and the dedicated\_Clk and IO\_Clk terms do not apply. For ACT 3 devices, all terms will apply.

$$\begin{aligned} \text{Power} = & V_{CC}^2 * [(m * C_{EQM} * f_m)_{\text{modules}} + (n * C_{EQI} * f_n)_{\text{inputs}} + \\ & (p * (C_{EQO} + C_L) * f_p)_{\text{outputs}} + 0.5 * (q_1 * C_{EQCR} * f_{q1})_{\text{routed\_Clk1}} + \\ & (r_1 * f_{q1})_{\text{routed\_Clk1}} + 0.5 * (q_2 * C_{EQCR} * f_{q2})_{\text{routed\_Clk2}} + \\ & (r_2 * f_{q2})_{\text{routed\_Clk2}} + 0.5 * (s_1 * C_{EQCD} * f_{s1})_{\text{dedicated\_Clk}} + \\ & (s_2 * C_{EQCI} * f_{s2})_{\text{IO\_Clk}}] \quad (2) \end{aligned}$$

where:

- $m$  = Number of logic modules switching at  $f_m$
- $n$  = Number of input buffers switching at  $f_n$
- $p$  = Number of output buffers switching at  $f_p$
- $q_1$  = Number of clock loads on the first routed array clock (all families)
- $q_2$  = Number of clock loads on the second routed array clock (ACT 2, 1200XL, ACT 3 only)
- $r_1$  = Fixed capacitance due to first routed array clock (all families)
- $r_2$  = Fixed capacitance due to second routed array clock (ACT 2, 1200XL, ACT 3 only)
- $s_1$  = Fixed number of clock loads on the dedicated array clock (ACT 3 only)
- $s_2$  = Fixed number of clock loads on the dedicated I/O clock (ACT 3 only)
- $C_{EQM}$  = Equivalent capacitance of logic modules in pF
- $C_{EQI}$  = Equivalent capacitance of input buffers in pF
- $C_{EQO}$  = Equivalent capacitance of output buffers in pF
- $C_{EQCR}$  = Equivalent capacitance of routed array clock in pF
- $C_{EQCD}$  = Equivalent capacitance of dedicated array clock in pF
- $C_{EQCI}$  = Equivalent capacitance of dedicated I/O clock in pF
- $C_L$  = Output lead capacitance in pF
- $f_m$  = Average logic module switching rate in MHz
- $f_n$  = Average input buffer switching rate in MHz
- $f_p$  = Average output buffer switching rate in MHz
- $f_{q1}$  = Average first routed array clock rate in MHz (all families)
- $f_{q2}$  = Average second routed array clock rate in MHz (ACT 2, 1200XL, ACT 3 only)
- $f_{s1}$  = Average dedicated array clock rate in MHz (ACT 3 only)
- $f_{s2}$  = Average dedicated I/O clock rate in MHz (ACT 3 only)

Fixed Capacitance Values for Actel FPGAs (pF)

Device Type	r <sub>1</sub> routed_Clk1	r <sub>2</sub> routed_Clk2
A1010B	41	n/a
A1020B	69	n/a
A1240A	134	134
A1280A	168	168
A1280XL	168	168
A1425A	75	75
A1460A	165	165
A14100A	195	195
A32100DX	178	178
A32200DX	230	230

Fixed Clock Loads (s<sub>1</sub>/s<sub>2</sub>—ACT 3 Only)

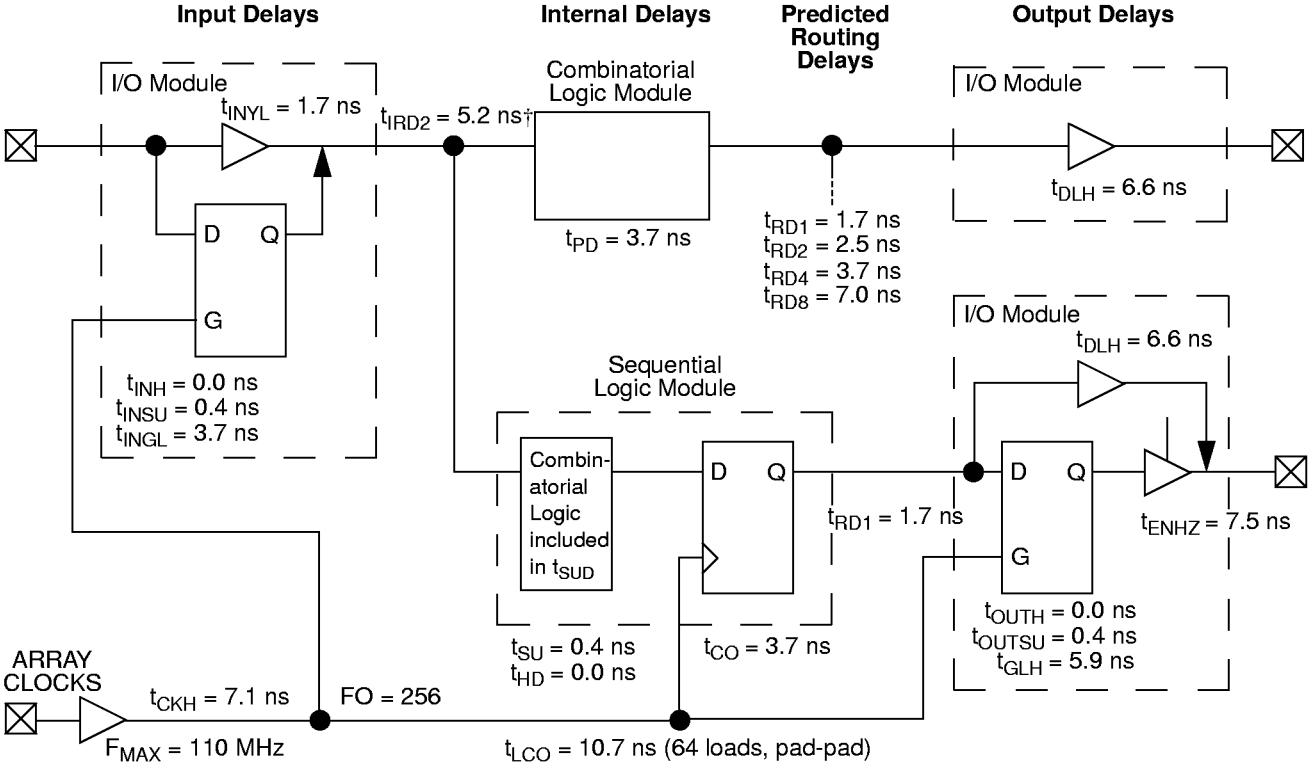
Device Type	s <sub>1</sub> Clock Loads on Dedicated Array Clock	s <sub>2</sub> Clock Loads on Dedicated I/O Clock
A1425A	160	100
A1460A	432	168
A14100A	697	228

Determining Average Switching Frequency

To determine the switching frequency for a design, you must have a detailed understanding of the data values input to the circuit. The guidelines in the table below are meant to represent worst-case scenarios so that they can be generally used to predict the upper limits of power dissipation.

Type	ACT 1	ACT 2/1200XL/3200DX	ACT 3
Logic modules (m)	90% of modules	80% of modules	80% of modules
Input switching (n)	# inputs/4	# inputs/4	# inputs/4
Outputs switching (p)	#outputs/4	#outputs/4	#outputs/4
First routed array clock loads (q <sub>1</sub> )	40% of modules	40% of sequential modules	40% of sequential modules
Second routed array clock loads (q <sub>2</sub> )	n/a	40% of sequential modules	40% of sequential modules
Load capacitance (C <sub>L</sub> )	35 pF	35 pF	35 pF
Average logic module switching rate (f <sub>m</sub> )	F/10	F/10	F/10
Average input switching rate (f <sub>n</sub> )	F/5	F/5	F/5
Average output switching rate (f <sub>p</sub> )	F/10	F/10	F/10
Average first routed array clock rate (f <sub>q1</sub> )	F	F	F/2
Average second routed array clock rate (f <sub>q2</sub> )	n/a	F/2	F/2
Average dedicated array clock rate (f <sub>s1</sub> )	n/a	n/a	F
Average dedicated I/O clock rate (f <sub>s2</sub> )	n/a	n/a	F

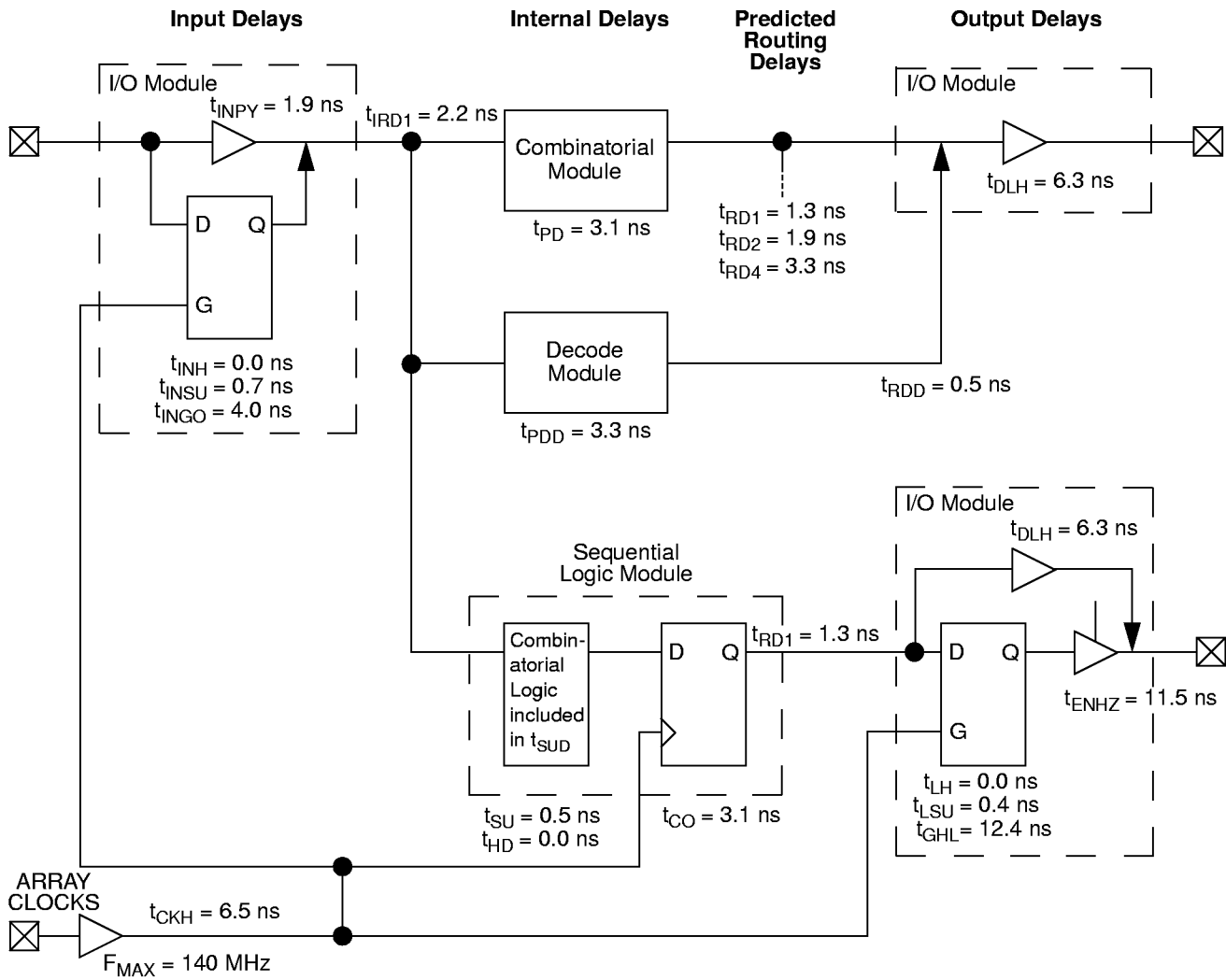
1200XL Timing Model\*



\*Values shown for A1280XL-1 at worst-case military conditions.

† Input Module Predicted Routing Delay

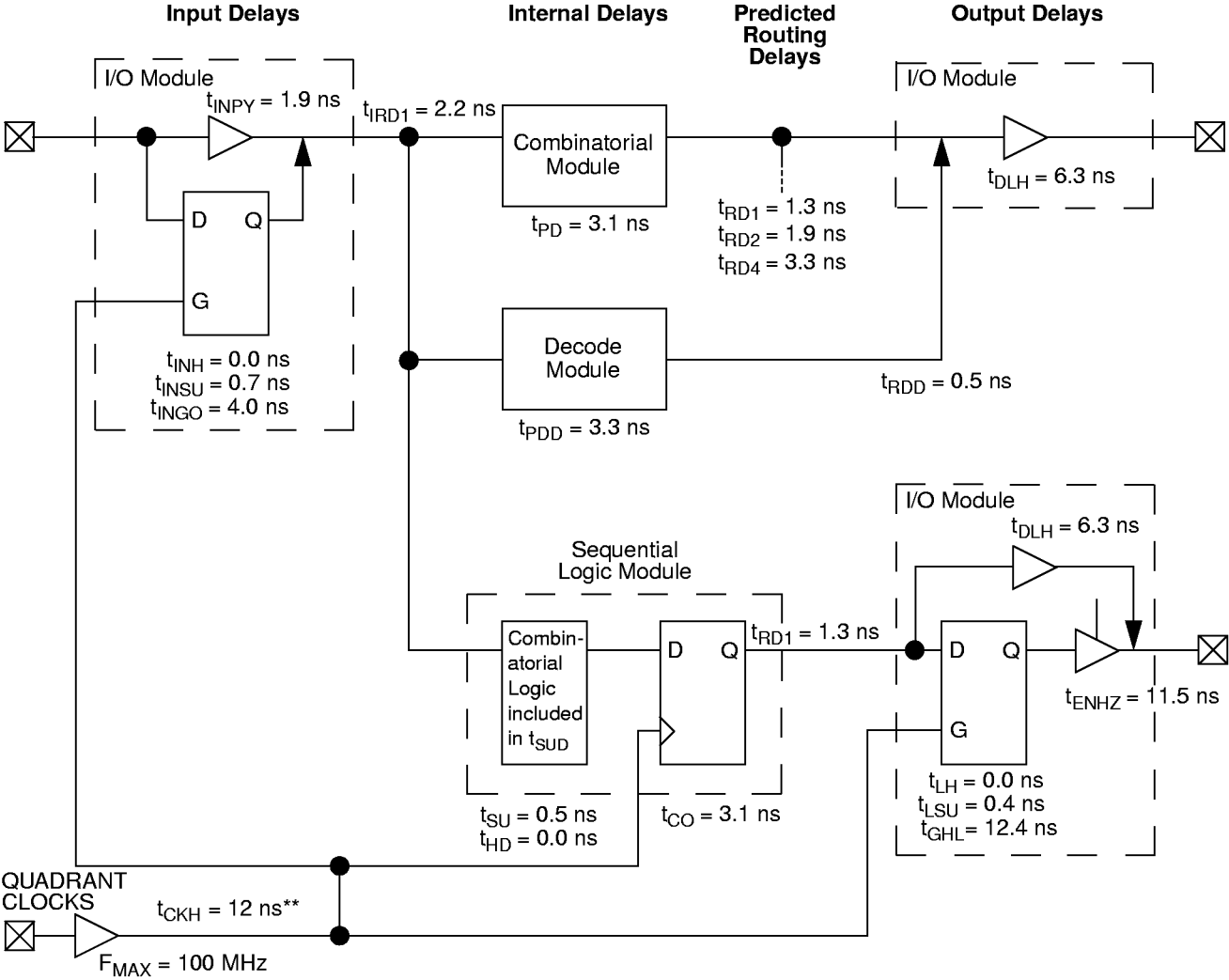
### 3200DX Timing Model (Logic Functions using Array Clocks)\*



\*Values shown for A32100DX-1 at worst-case military conditions.



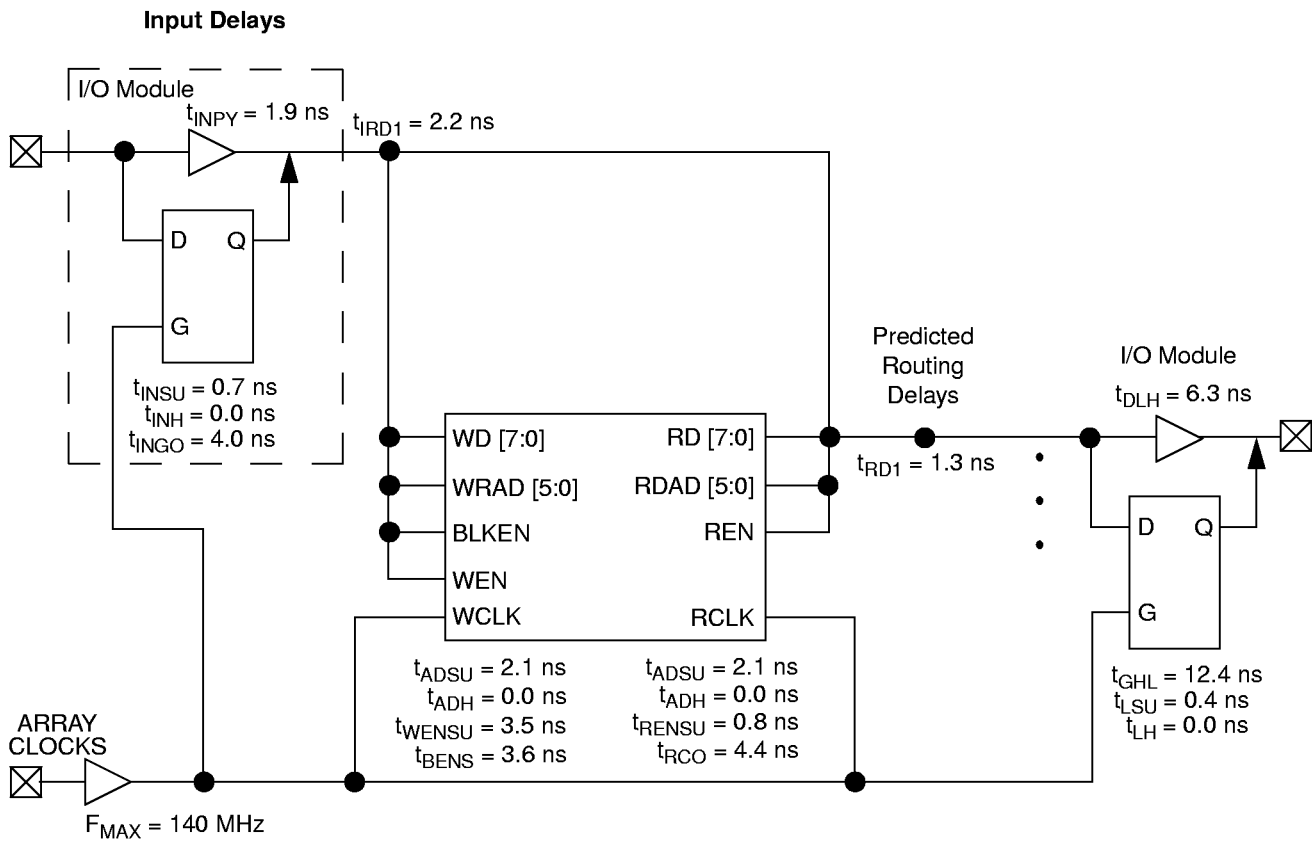
3200DX Timing Model (Logic Functions using Quadrant Clocks)\*



\* Values shown for A32100DX-1 at worst-case military conditions.

\*\* Load dependent.

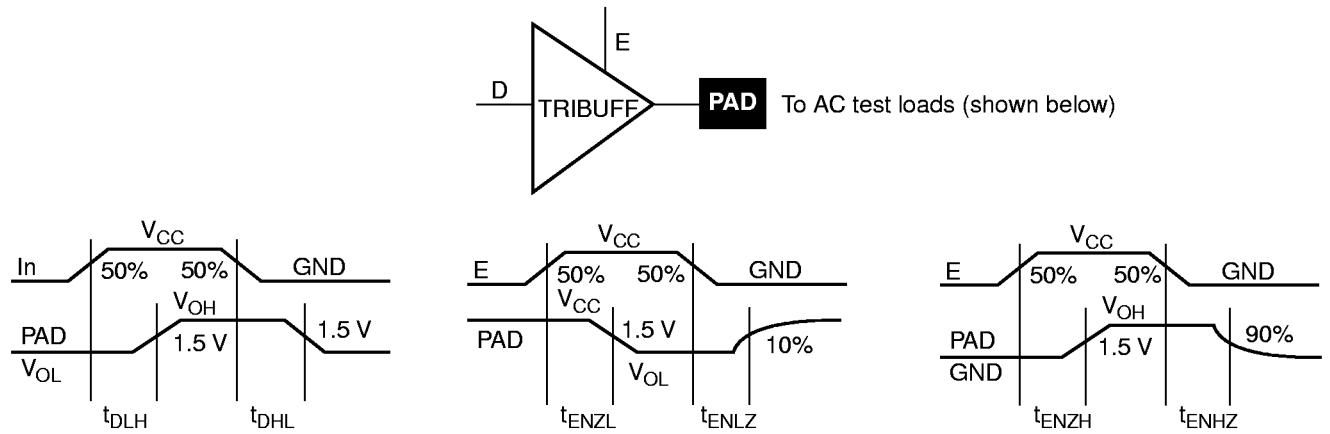
### 3200DX Timing Model (SRAM Functions)\*



\*Values shown for A32100DX-1 at worst-case military conditions.

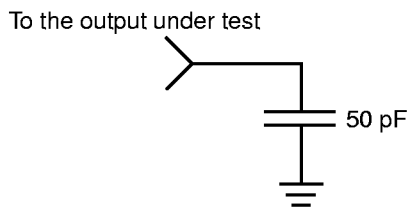
Parameter Measurement

Output Buffer Delays

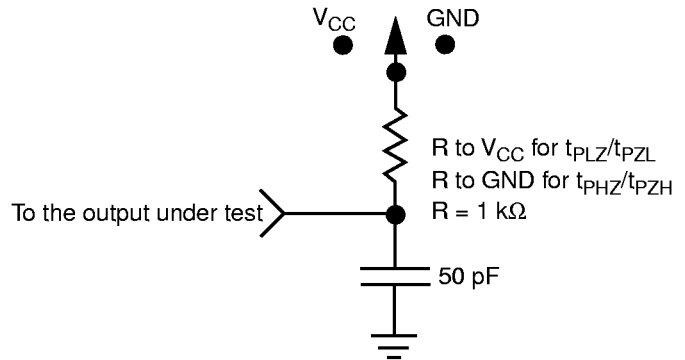


AC Test Load

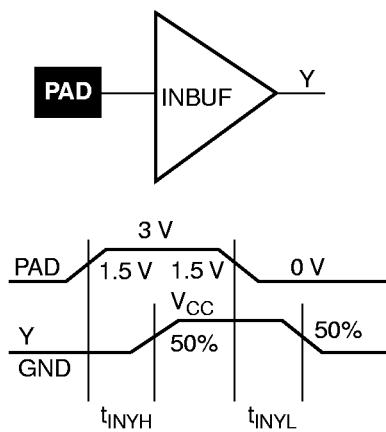
**Load 1**  
(Used to measure propagation delay)



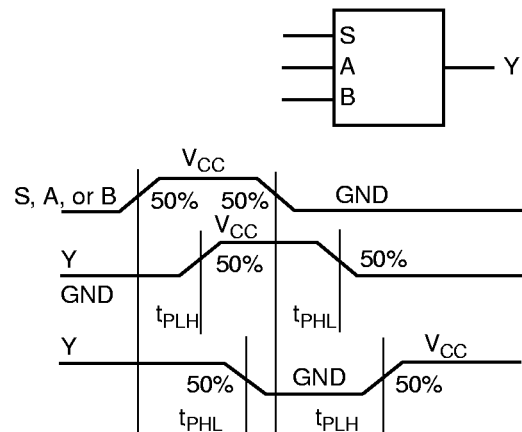
**Load 2**  
(Used to measure rising/falling edges)



Input Buffer Delays

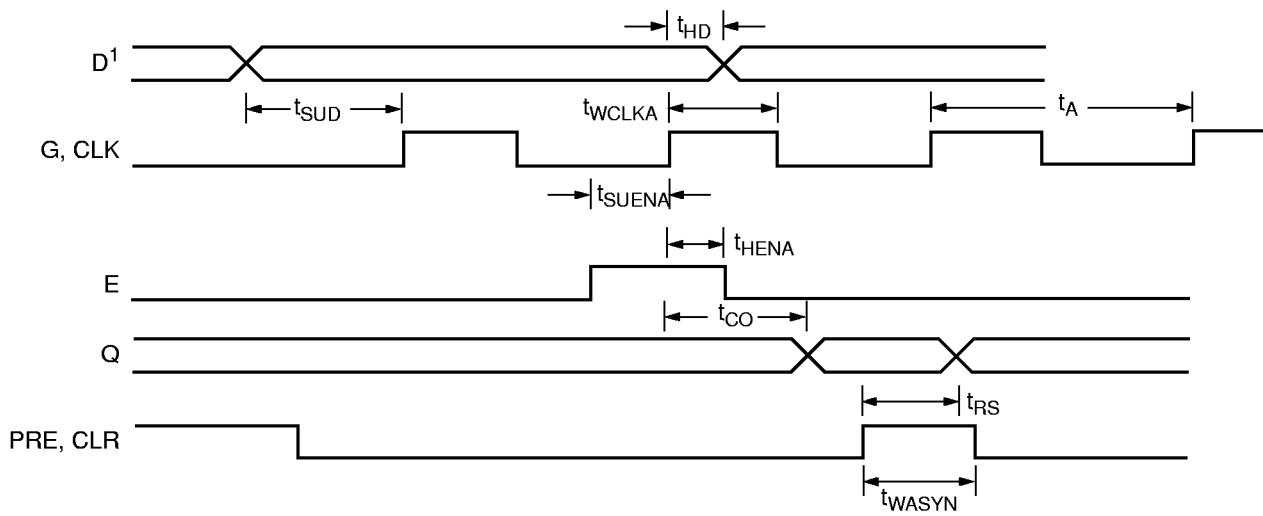
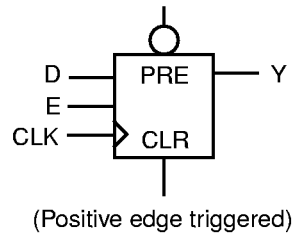


Combinatorial Macro Delays



## Sequential Timing Characteristics

Flip-Flops and Latches (ACT 1, ACT 2, and 1200XL/3200DX)

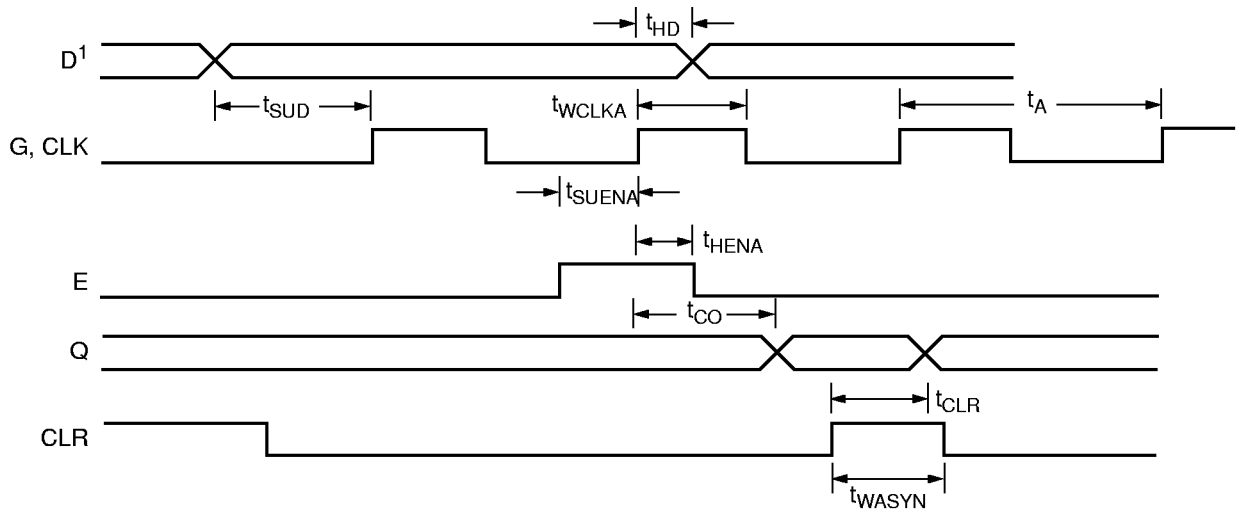
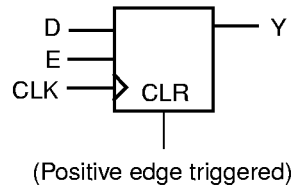


**Note:**

1.  $D$  represents all data functions involving  $A, B,$  and  $S$  for multiplexed flip-flops.

Sequential Timing Characteristics (continued)

Flip-Flops and Latches (ACT 3)

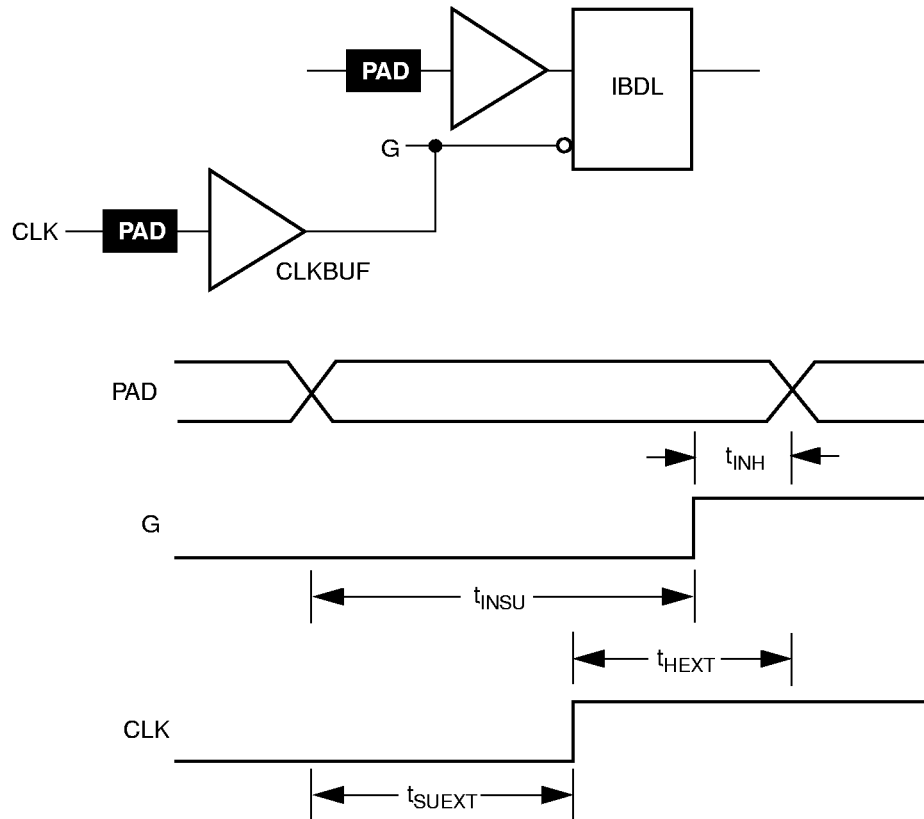


**Note:**

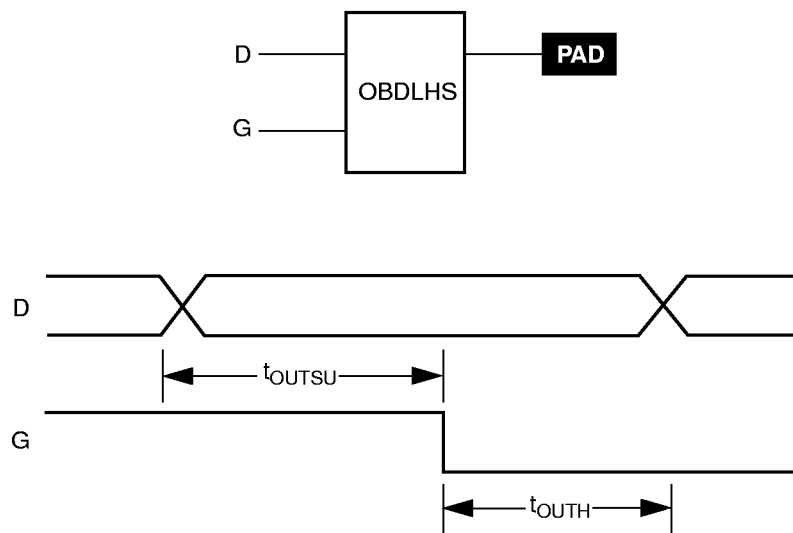
1. *D* represents all data functions involving A, B, and S for multiplexed flip-flops.

Sequential Timing Characteristics (continued)

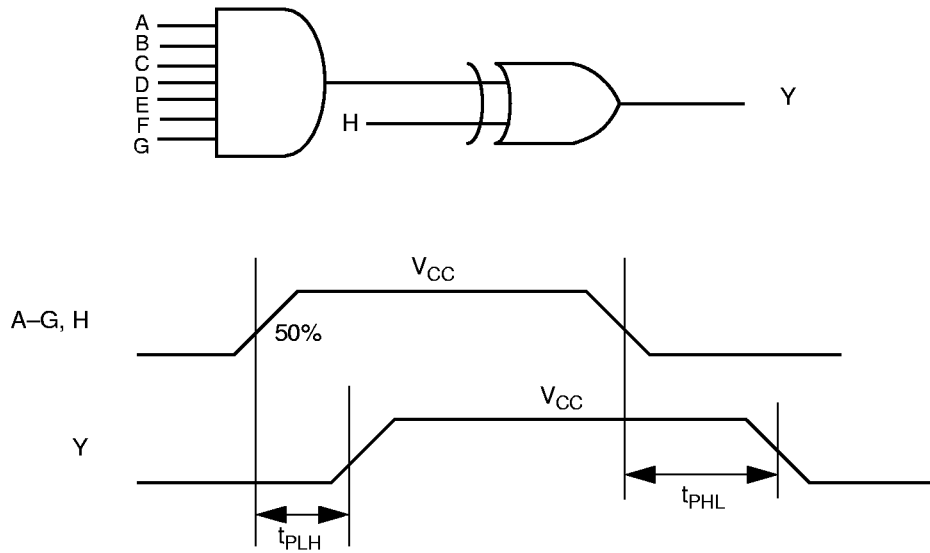
Input Buffer Latches (ACT 2 and 1200XL/3200DX)



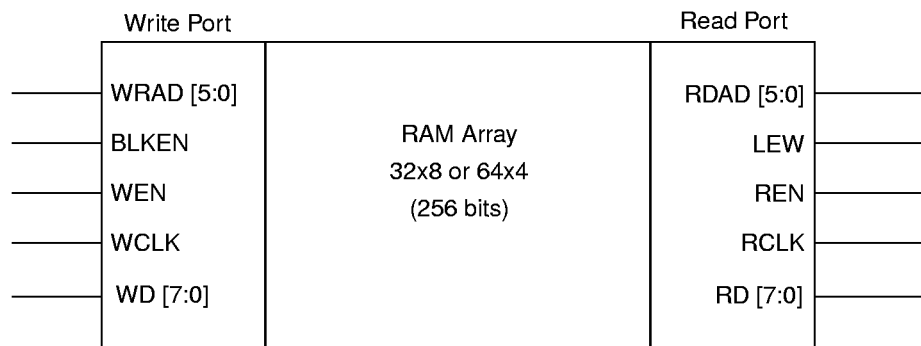
Output Buffer Latches (ACT 2 and 1200XL/3200DX)



Decode Module Timing

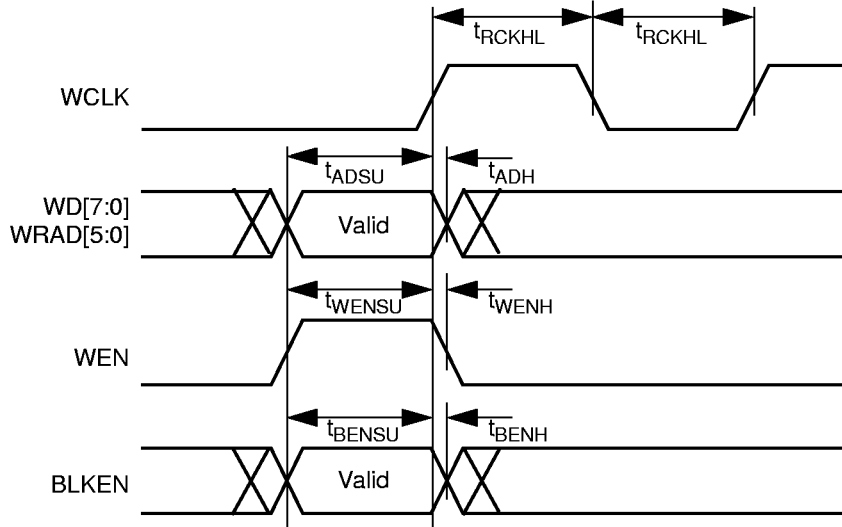


SRAM Timing Characteristics



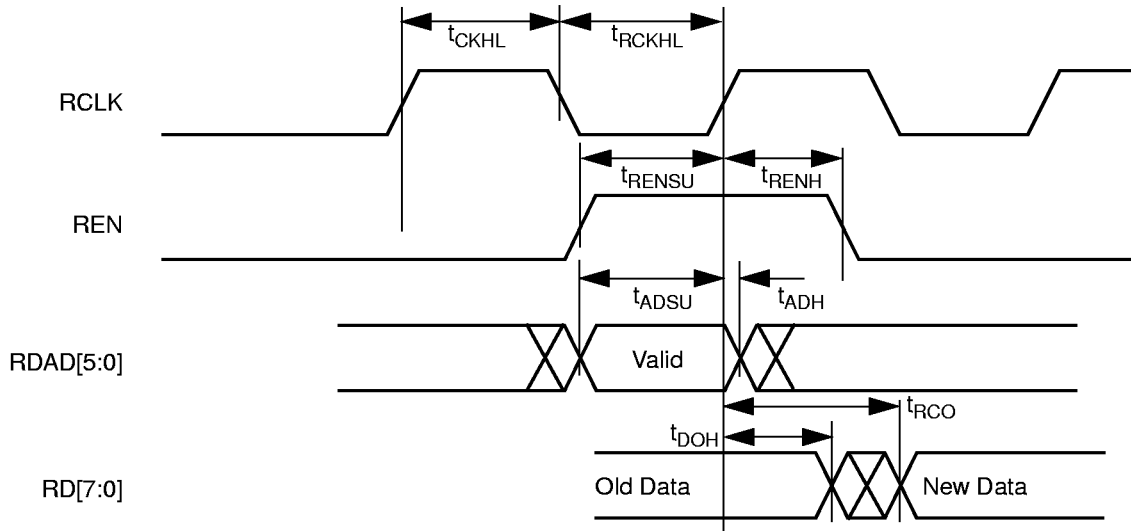
## Dual-Port SRAM Timing Waveforms

### 3200DX SRAM Write Operation



**Note:** Identical timing for falling-edge clock.

### 3200DX SRAM Synchronous Read Operation

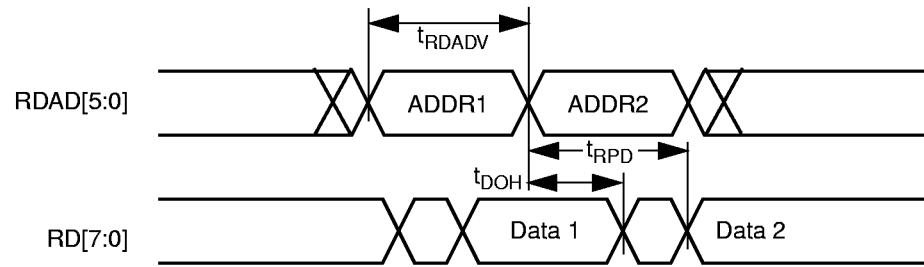


**Note:** Identical timing for falling-edge clock.



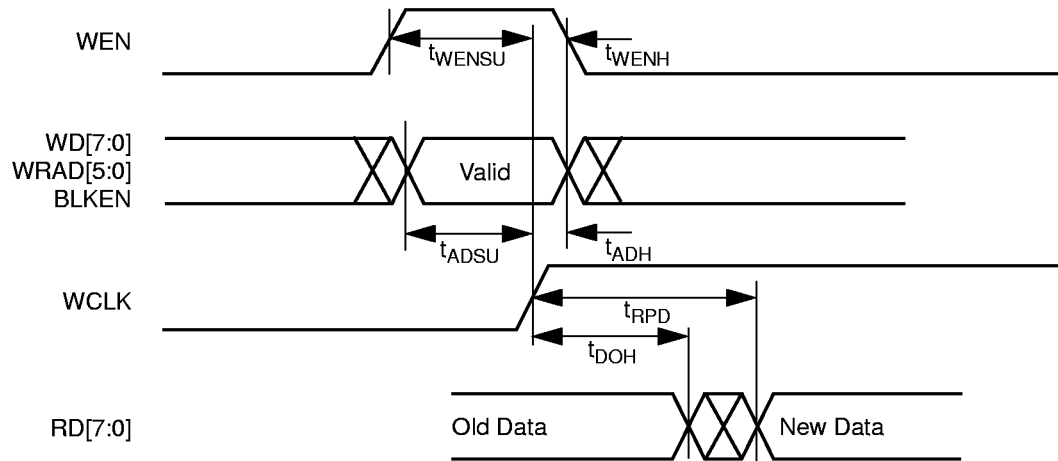
## 3200DX SRAM Asynchronous Read Operation—Type 1

(Read Address Controlled)



## 3200DX SRAM Asynchronous Read Operation—Type 2

(Write Address Controlled)



## ACT 1 Timing Characteristics

(Worst-Case Military Conditions)

Logic Module Propagation Delays		-1 Speed		Std Speed		
Parameter	Description	Min.	Max.	Min.	Max.	Units
t <sub>PD1</sub>	Single Module		4.7		5.5	ns
t <sub>PD2</sub>	Dual Module Macros		10.8		12.7	ns
t <sub>CO</sub>	Sequential Clk to Q		4.7		5.5	ns
t <sub>GO</sub>	Latch G to Q		4.7		5.5	ns
t <sub>RS</sub>	Flip-Flop (Latch) Reset to Q		4.7		5.5	ns
<b>Predicted Routing Delays<sup>1</sup></b>						
t <sub>RD1</sub>	FO=1 Routing Delay		1.5		1.7	ns
t <sub>RD2</sub>	FO=2 Routing Delay		2.3		2.7	ns
t <sub>RD3</sub>	FO=3 Routing Delay		3.4		4.0	ns
t <sub>RD4</sub>	FO=4 Routing Delay		5.0		5.9	ns
t <sub>RD8</sub>	FO=8 Routing Delay		10.6		12.5	ns
<b>Sequential Timing Characteristics<sup>2</sup></b>						
t <sub>SUD</sub>	Flip-Flop (Latch) Data Input Setup	8.8		10.4		ns
t <sub>HD</sub>	Flip-Flop (Latch) Data Input Hold	0.0		0.0		ns
t <sub>SUENA</sub>	Flip-Flop (Latch) Enable Setup	8.8		10.4		ns
t <sub>HENA</sub>	Flip-Flop (Latch) Enable Hold	0.0		0.0		ns
t <sub>WCLKA</sub>	Flip-Flop (Latch) Clock Active Pulse Width	10.9		12.9		ns
t <sub>WASYN</sub>	Flip-Flop (Latch) Asynchronous Pulse Width	10.9		12.9		ns
t <sub>A</sub>	Flip-Flop Clock Input Period	23.2		27.3		ns
f <sub>MAX</sub>	Flip-Flop (Latch) Clock Frequency		44		37	MHz

**Notes:**

1. Routing delays are for typical designs across worst-case operating conditions. These parameters should be used for estimating device performance. Post-routetiming analysis or simulation is required to determine actual worst-case performance. Post-route timing is based on actual routing delay measurements performed on the device prior to shipment.
2. Setup times assume fanout of 3. Further derating information can be obtained from the DirectTime Analyzer utility.

## ACT 1 Timing Characteristics (continued)

(Worst-Case Military Conditions)

Input Module Propagation Delays			-1 Speed		Std Speed		
Parameter	Description		Min.	Max.	Min.	Max.	Units
t <sub>INYH</sub>	Pad to Y High			4.9		5.8	ns
t <sub>INYL</sub>	Pad to Y Low			4.9		5.8	ns
Input Module Predicted Routing Delays <sup>1</sup>							
t <sub>IRD1</sub>	FO=1 Routing Delay			1.5		1.7	ns
t <sub>IRD2</sub>	FO=2 Routing Delay			2.3		2.7	ns
t <sub>IRD3</sub>	FO=3 Routing Delay			3.4		4.0	ns
t <sub>IRD4</sub>	FO=4 Routing Delay			5.0		5.9	ns
t <sub>IRD8</sub>	FO=8 Routing Delay			10.6		12.5	ns
Global Clock Network							
t <sub>CKH</sub>	Input Low to High	FO = 16 FO = 128		7.8 8.9		9.2 10.5	ns
t <sub>CKL</sub>	Input High to Low	FO = 16 FO = 128		10.3 11.2		12.1 13.2	ns
t <sub>PWH</sub>	Minimum Pulse Width High	FO = 16 FO = 128	10.4 10.9		12.2 12.9		ns
t <sub>PWL</sub>	Minimum Pulse Width Low	FO = 16 FO = 128	10.4 10.9		12.2 12.9		ns
t <sub>CKSW</sub>	Maximum Skew	FO = 16 FO = 128		1.9 2.9		2.2 3.4	ns
t <sub>P</sub>	Minimum Period	FO = 16 FO = 128	21.7 23.2		25.6 27.3		ns
f <sub>MAX</sub>	Maximum Frequency	FO = 16 FO = 128		46 44		40 37	MHz

**Note:**

1. These parameters should be used for estimating device performance. Routing delays are for typical designs across worst-case operating conditions. Post-route timing analysis or simulation is required to determine actual worst-case performance. Post-route timing is based on actual routing delay measurements performed on the device prior to shipment.

ACT 1 Timing Characteristics (continued)

(Worst-Case Military Conditions)

Output Module Timing		-1 Speed		Std Speed		
Parameter	Description	Min.	Max.	Min.	Max.	Units
<b>TTL Output Module Timing<sup>1</sup></b>						
t <sub>DLH</sub>	Data to Pad High		12.1		14.2	ns
t <sub>DHL</sub>	Data to Pad Low		13.8		16.3	ns
t <sub>ENZH</sub>	Enable Pad Z to High		12.0		14.1	ns
t <sub>ENZL</sub>	Enable Pad Z to Low		14.6		17.1	ns
t <sub>ENHZ</sub>	Enable Pad High to Z		16.0		18.8	ns
t <sub>ENLZ</sub>	Enable Pad Low to Z		14.5		17.0	ns
d <sub>TLH</sub>	Delta Low to High		0.09		0.11	ns/pF
d <sub>THL</sub>	Delta High to Low		0.12		0.15	ns/pF
<b>CMOS Output Module Timing<sup>1</sup></b>						
t <sub>DLH</sub>	Data to Pad High		15.1		17.7	ns
t <sub>DHL</sub>	Data to Pad Low		11.5		13.6	ns
t <sub>ENZH</sub>	Enable Pad Z to High		12.0		14.1	ns
t <sub>ENZL</sub>	Enable Pad Z to Low		14.6		17.1	ns
t <sub>ENHZ</sub>	Enable Pad High to Z		16.0		18.8	ns
t <sub>ENLZ</sub>	Enable Pad Low to Z		14.5		17.0	ns
d <sub>TLH</sub>	Delta Low to High		0.16		0.18	ns/pF
d <sub>THL</sub>	Delta High to Low		0.09		0.11	ns/pF

**Notes:**

1. Delays based on 50 pF loading.
2. SSO information can be found in the "Simultaneously Switching Output Limits for Actel FPGAs" application note.

## A1240A Timing Characteristics

(Worst-Case Military Conditions)

Logic Module Propagation Delays <sup>1</sup>		-1 Speed		Std Speed		
Parameter	Description	Min.	Max.	Min.	Max.	Units
t <sub>PD1</sub>	Single Module		5.2		6.1	ns
t <sub>CO</sub>	Sequential Clk to Q		5.2		6.1	ns
t <sub>GO</sub>	Latch G to Q		5.2		6.1	ns
t <sub>RS</sub>	Flip-Flop (Latch) Reset to Q		5.2		6.1	ns
Predicted Routing Delays <sup>2</sup>						
t <sub>RD1</sub>	FO=1 Routing Delay		1.9		2.2	ns
t <sub>RD2</sub>	FO=2 Routing Delay		2.4		2.8	ns
t <sub>RD3</sub>	FO=3 Routing Delay		3.1		3.7	ns
t <sub>RD4</sub>	FO=4 Routing Delay		4.3		5.0	ns
t <sub>RD8</sub>	FO=8 Routing Delay		6.6		7.7	ns
Sequential Timing Characteristics <sup>3, 4</sup>						
t <sub>SUD</sub>	Flip-Flop (Latch) Data Input Setup	0.5		0.5		ns
t <sub>HD</sub>	Flip-Flop (Latch) Data Input Hold	0.0		0.0		ns
t <sub>SUENA</sub>	Flip-Flop (Latch) Enable Setup	1.3		1.3		ns
t <sub>HENA</sub>	Flip-Flop (Latch) Enable Hold	0.0		0.0		ns
t <sub>WCLKA</sub>	Flip-Flop (Latch) Clock Active Pulse Width	7.4		8.1		ns
t <sub>WASYN</sub>	Flip-Flop (Latch) Asynchronous Pulse Width	7.4		8.1		ns
t <sub>A</sub>	Flip-Flop Clock Input Period	14.8		18.6		ns
t <sub>INH</sub>	Input Buffer Latch Hold	2.5		2.5		ns
t <sub>INSU</sub>	Input Buffer Latch Setup	-3.5		-3.5		ns
t <sub>OUTH</sub>	Output Buffer Latch Hold	0.0		0.0		ns
t <sub>OUTSU</sub>	Output Buffer Latch Setup	0.5		0.5		ns
f <sub>MAX</sub>	Flip-Flop (Latch) Clock Frequency		63		54	MHz

**Notes:**

1. For dual-module macros, use  $t_{PD1} + t_{RD1} + t_{PDn}$ ,  $t_{CO} + t_{RD1} + t_{PDn}$ , or  $t_{PD1} + t_{RD1} + t_{SUD}$ , whichever is appropriate.
2. Routing delays are for typical designs across worst-case operating conditions. These parameters should be used for estimating device performance. Post-route timing analysis or simulation is required to determine actual worst-case performance. Post-route timing is based on actual routing delay measurements performed on the device prior to shipment.
3. Data applies to macros based on the S-module. Timing parameters for sequential macros constructed from C-modules can be obtained from the DirectTime Analyzer utility.
4. Setup and hold timing parameters for the Input Buffer Latch are defined with respect to the PAD and the D input. External setup/hold timing parameters must account for delay from an external PAD signal to the G inputs. Delay from an external PAD signal to the G input subtracts (adds) to the internal setup (hold) time.

## A1240A Timing Characteristics (continued)

(Worst-Case Military Conditions)

Input Module Propagation Delays			-1 Speed		Std Speed		
Parameter	Description		Min.	Max.	Min.	Max.	Units
t <sub>INYH</sub>	Pad to Y High			4.0		4.7	ns
t <sub>INYL</sub>	Pad to Y Low			3.6		4.3	ns
t <sub>INGH</sub>	G to Y High			6.9		8.1	ns
t <sub>INGL</sub>	G to Y Low			6.6		7.7	ns
Input Module Predicted Routing Delays <sup>1</sup>							
t <sub>IRD1</sub>	FO=1 Routing Delay			5.8		6.9	ns
t <sub>IRD2</sub>	FO=2 Routing Delay			6.7		7.8	ns
t <sub>IRD3</sub>	FO=3 Routing Delay			7.5		8.8	ns
t <sub>IRD4</sub>	FO=4 Routing Delay			8.2		9.7	ns
t <sub>IRD8</sub>	FO=8 Routing Delay			10.9		12.9	ns
Global Clock Network							
t <sub>CKH</sub>	Input Low to High	FO = 32 FO = 256		13.3 16.3		15.7 19.2	ns
t <sub>CKL</sub>	Input High to Low	FO = 32 FO = 256		13.3 16.5		15.7 19.5	ns
t <sub>PWH</sub>	Minimum Pulse Width High	FO = 32 FO = 256	5.7 6.0		6.7 7.1		ns
t <sub>PWL</sub>	Minimum Pulse Width Low	FO = 32 FO = 256	5.7 6.0		6.7 7.1		ns
t <sub>CKSW</sub>	Maximum Skew	FO = 32 FO = 256		0.6 3.1		0.6 3.1	ns
t <sub>SUEXT</sub>	Input Latch External Setup	FO = 32 FO = 256	0.0 0.0		0.0 0.0		ns
t <sub>HEXT</sub>	Input Latch External Hold	FO = 32 FO = 256	8.6 13.8		8.6 13.8		ns
t <sub>P</sub>	Minimum Period	FO = 32 FO = 256	11.5 12.2		13.5 14.3		ns
f <sub>MAX</sub>	Maximum Frequency	FO = 32 FO = 256		87 82		74 70	MHz

**Note:**

1. These parameters should be used for estimating device performance. Optimization techniques may further reduce delays by 0 to 4 ns. Routing delays are for typical designs across worst-case operating conditions. Post-route timing analysis or simulation is required to determine actual worst-case performance. Post-route timing is based on actual routing delay measurements performed on the device prior to shipment.

## A1240A Timing Characteristics (continued)

(Worst-Case Military Conditions)

Output Module Timing		-1 Speed		Std Speed		
Parameter	Description	Min.	Max.	Min.	Max.	Units
<b>TTL Output Module Timing<sup>1</sup></b>						
t <sub>DLH</sub>	Data to Pad High		11.0		13.0	ns
t <sub>DHL</sub>	Data to Pad Low		13.9		16.4	ns
t <sub>ENZH</sub>	Enable Pad Z to High		12.3		14.4	ns
t <sub>ENZL</sub>	Enable Pad Z to Low		16.1		19.0	ns
t <sub>ENHZ</sub>	Enable Pad High to Z		9.8		11.5	ns
t <sub>ENLZ</sub>	Enable Pad Low to Z		11.5		13.6	ns
t <sub>GLH</sub>	G to Pad High		12.4		14.6	ns
t <sub>GHL</sub>	G to Pad Low		15.5		18.2	ns
d <sub>TLH</sub>	Delta Low to High		0.09		0.11	ns/pF
d <sub>THL</sub>	Delta High to Low		0.17		0.20	ns/pF
<b>CMOS Output Module Timing<sup>1</sup></b>						
t <sub>DLH</sub>	Data to Pad High		14.0		16.5	ns
t <sub>DHL</sub>	Data to Pad Low		11.7		13.7	ns
t <sub>ENZH</sub>	Enable Pad Z to High		12.3		14.4	ns
t <sub>ENZL</sub>	Enable Pad Z to Low		16.1		19.0	ns
t <sub>ENHZ</sub>	Enable Pad High to Z		9.8		11.5	ns
t <sub>ENLZ</sub>	Enable Pad Low to Z		11.5		13.6	ns
t <sub>GLH</sub>	G to Pad High		12.4		14.6	ns
t <sub>GHL</sub>	G to Pad Low		15.5		18.2	ns
d <sub>TLH</sub>	Delta Low to High		0.17		0.20	ns/pF
d <sub>THL</sub>	Delta High to Low		0.12		0.15	ns/pF

**Notes:**

1. Delays based on 50 pF loading.
2. SSO information can be found in the "Simultaneously Switching Output Limits for Actel FPGAs" application note.

## A1280A Timing Characteristics

(Worst-Case Military Conditions)

Logic Module Propagation Delays <sup>1</sup>		-1 Speed		Std Speed		
Parameter	Description	Min.	Max.	Min.	Max.	Units
t <sub>PD1</sub>	Single Module		5.2		6.1	ns
t <sub>CO</sub>	Sequential Clk to Q		5.2		6.1	ns
t <sub>GO</sub>	Latch G to Q		5.2		6.1	ns
t <sub>RS</sub>	Flip-Flop (Latch) Reset to Q		5.2		6.1	ns
Predicted Routing Delays <sup>2</sup>						
t <sub>RD1</sub>	FO=1 Routing Delay		2.4		2.8	ns
t <sub>RD2</sub>	FO=2 Routing Delay		3.4		4.0	ns
t <sub>RD3</sub>	FO=3 Routing Delay		4.2		4.9	ns
t <sub>RD4</sub>	FO=4 Routing Delay		5.1		6.0	ns
t <sub>RD8</sub>	FO=8 Routing Delay		9.2		10.8	ns
Sequential Timing Characteristics <sup>3, 4</sup>						
t <sub>SUD</sub>	Flip-Flop (Latch) Data Input Setup	0.5		0.5		ns
t <sub>HD</sub>	Flip-Flop (Latch) Data Input Hold	0.0		0.0		ns
t <sub>SUENA</sub>	Flip-Flop (Latch) Enable Setup	1.3		1.3		ns
t <sub>HENA</sub>	Flip-Flop (Latch) Enable Hold	0.0		0.0		ns
t <sub>WCLKA</sub>	Flip-Flop (Latch) Clock Active Pulse Width	7.4		8.6		ns
t <sub>WASYN</sub>	Flip-Flop (Latch) Asynchronous Pulse Width	7.4		8.6		ns
t <sub>A</sub>	Flip-Flop Clock Input Period	16.4		22.1		ns
t <sub>INH</sub>	Input Buffer Latch Hold	2.5		2.5		ns
t <sub>INSU</sub>	Input Buffer Latch Setup	-3.5		-3.5		ns
t <sub>OUTH</sub>	Output Buffer Latch Hold	0.0		0.0		ns
t <sub>OUTSU</sub>	Output Buffer Latch Setup	0.5		0.5		ns
f <sub>MAX</sub>	Flip-Flop (Latch) Clock Frequency		60		41	MHz

### Notes:

- For dual-module macros, use  $t_{PD1} + t_{RD1} + t_{PDn}$ ,  $t_{CO} + t_{RD1} + t_{PDn}$ , or  $t_{PD1} + t_{RD1} + t_{SUD}$ , whichever is appropriate.
- Routing delays are for typical designs across worst-case operating conditions. These parameters should be used for estimating device performance. Post-route timing analysis or simulation is required to determine actual worst-case performance. Post-route timing is based on actual routing delay measurements performed on the device prior to shipment.
- Data applies to macros based on the S-module. Timing parameters for sequential macros constructed from C-modules can be obtained from the DirectTime Analyzer utility.
- Setup and hold timing parameters for the input buffer latch are defined with respect to the PAD and the D input. External setup/hold timing parameters must account for delay from an external PAD signal to the G inputs. Delay from an external PAD signal to the G input subtracts (adds) to the internal setup (hold) time.



## A1280A Timing Characteristics (continued)

(Worst-Case Military Conditions)

Input Module Propagation Delays			-1 Speed		Std Speed		
Parameter	Description		Min.	Max.	Min.	Max.	Units
t <sub>INYH</sub>	Pad to Y High			4.0		4.7	ns
t <sub>INYL</sub>	Pad to Y Low			3.6		4.3	ns
t <sub>INGH</sub>	G to Y High			6.9		8.1	ns
t <sub>INGL</sub>	G to Y Low			6.6		7.7	ns
Input Module Predicted Routing Delays <sup>1</sup>							
t <sub>RD1</sub>	FO=1 Routing Delay			6.2		7.3	ns
t <sub>RD2</sub>	FO=2 Routing Delay			7.2		8.4	ns
t <sub>RD3</sub>	FO=3 Routing Delay			7.7		9.1	ns
t <sub>RD4</sub>	FO=4 Routing Delay			8.9		10.5	ns
t <sub>RD8</sub>	FO=8 Routing Delay			12.9		15.2	ns
Global Clock Network							
t <sub>CKH</sub>	Input Low to High	FO = 32 FO = 384		13.3 17.9		15.7 21.1	ns
t <sub>CKL</sub>	Input High to Low	FO = 32 FO = 384		13.3 18.2		15.7 21.4	ns
t <sub>PWH</sub>	Minimum Pulse Width High	FO = 32 FO = 384	6.9 7.9		8.1 9.3		ns
t <sub>PWL</sub>	Minimum Pulse Width Low	FO = 32 FO = 384	6.9 7.9		8.1 9.3		ns
t <sub>CKSW</sub>	Maximum Skew	FO = 32 FO = 384		0.6 3.1		0.6 3.1	ns
t <sub>SUEXT</sub>	Input Latch External Setup	FO = 32 FO = 384	0.0 0.0		0.0 0.0		ns
t <sub>HEXT</sub>	Input Latch External Hold	FO = 32 FO = 384	8.6 13.8		8.6 13.8		ns
t <sub>P</sub>	Minimum Period	FO = 32 FO = 384	13.7 16.0		16.2 18.9		ns
f <sub>MAX</sub>	Maximum Frequency	FO = 32 FO = 384		73 63		62 53	MHz

**Note:**

1. These parameters should be used for estimating device performance. Optimization techniques may further reduce delays by 0 to 4 ns. Routing delays are for typical designs across worst-case operating conditions. Post-route timing analysis or simulation is required to determine actual worst-case performance. Post-route timing is based on actual routing delay measurements performed on the device prior to shipment.

A1280A Timing Characteristics (continued)

(Worst-Case Military Conditions)

Output Module Timing		-1 Speed		Std Speed		
Parameter	Description	Min.	Max.	Min.	Max.	Units
<b>TTL Output Module Timing<sup>1</sup></b>						
t <sub>DLH</sub>	Data to Pad High		11.0		13.0	ns
t <sub>DHL</sub>	Data to Pad Low		13.9		16.4	ns
t <sub>ENZH</sub>	Enable Pad Z to High		12.3		14.4	ns
t <sub>ENZL</sub>	Enable Pad Z to Low		16.1		19.0	ns
t <sub>ENHZ</sub>	Enable Pad High to Z		9.8		11.5	ns
t <sub>ENLZ</sub>	Enable Pad Low to Z		11.5		13.6	ns
t <sub>GLH</sub>	G to Pad High		12.4		14.6	ns
t <sub>GHL</sub>	G to Pad Low		15.5		18.2	ns
d <sub>TLH</sub>	Delta Low to High		0.09		0.11	ns/pF
d <sub>THL</sub>	Delta High to Low		0.17		0.20	ns/pF
<b>CMOS Output Module Timing<sup>1</sup></b>						
t <sub>DLH</sub>	Data to Pad High		14.0		16.5	ns
t <sub>DHL</sub>	Data to Pad Low		11.7		13.7	ns
t <sub>ENZH</sub>	Enable Pad Z to High		12.3		14.4	ns
t <sub>ENZL</sub>	Enable Pad Z to Low		16.1		19.0	ns
t <sub>ENHZ</sub>	Enable Pad High to Z		9.8		11.5	ns
t <sub>ENLZ</sub>	Enable Pad Low to Z		11.5		13.6	ns
t <sub>GLH</sub>	G to Pad High		12.4		14.6	ns
t <sub>GHL</sub>	G to Pad Low		15.5		18.2	ns
d <sub>TLH</sub>	Delta Low to High		0.17		0.20	ns/pF
d <sub>THL</sub>	Delta High to Low		0.12		0.15	ns/pF

**Notes:**

1. Delays based on 50 pF loading.
2. SSO information can be found in the "Simultaneously Switching Output Limits for Actel FPGAs" application note.

## A1280XL Timing Characteristics

(Worst-Case Military Conditions)

Logic Module Propagation Delays <sup>1</sup>		-1 Speed		Std Speed		
Parameter	Description	Min.	Max.	Min.	Max.	Units
t <sub>PD1</sub>	Single Module		3.7		4.3	ns
t <sub>CO</sub>	Sequential Clk to Q		3.7		4.3	ns
t <sub>GO</sub>	Latch G to Q		3.7		4.3	ns
t <sub>RS</sub>	Flip-Flop (Latch) Reset to Q		3.7		4.3	ns
Predicted Routing Delays <sup>2</sup>						
t <sub>RD1</sub>	FO=1 Routing Delay		1.7		2.1	ns
t <sub>RD2</sub>	FO=2 Routing Delay		2.5		3.0	ns
t <sub>RD3</sub>	FO=3 Routing Delay		3.1		3.6	ns
t <sub>RD4</sub>	FO=4 Routing Delay		3.7		4.3	ns
t <sub>RD8</sub>	FO=8 Routing Delay		7.0		8.3	ns
Sequential Timing Characteristics <sup>3, 4</sup>						
t <sub>SUD</sub>	Flip-Flop (Latch) Data Input Setup	0.4		0.5		ns
t <sub>HD</sub>	Flip-Flop (Latch) Data Input Hold	0.0		0.0		ns
t <sub>SUENA</sub>	Flip-Flop (Latch) Enable Setup	1.1		1.2		ns
t <sub>HENA</sub>	Flip-Flop (Latch) Enable Hold	0.0		0.0		ns
t <sub>WCLKA</sub>	Flip-Flop (Latch) Clock Active Pulse Width	5.3		6.1		ns
t <sub>WASYN</sub>	Flip-Flop (Latch) Asynchronous Pulse Width	5.3		6.1		ns
t <sub>A</sub>	Flip-Flop Clock Input Period	10.7		12.3		ns
t <sub>INH</sub>	Input Buffer Latch Hold	0.0		0.0		ns
t <sub>INSU</sub>	Input Buffer Latch Setup	0.4		0.4		ns
t <sub>OUTH</sub>	Output Buffer Latch Hold	0.0		0.0		ns
t <sub>OUTSU</sub>	Output Buffer Latch Setup	0.4		0.4		ns
f <sub>MAX</sub>	Flip-Flop (Latch) Clock Frequency		90		75	MHz

**Notes:**

1. For dual-module macros, use  $t_{PD1} + t_{RD1} + t_{PDn}$ ,  $t_{CO} + t_{RD1} + t_{PDn}$ , or  $t_{PD1} + t_{RD1} + t_{SUD}$ , whichever is appropriate.
2. Routing delays are for typical designs across worst-case operating conditions. These parameters should be used for estimating device performance. Post-route timing analysis or simulation is required to determine actual worst-case performance. Post-route timing is based on actual routing delay measurements performed on the device prior to shipment.
3. Data applies to macros based on the S-module. Timing parameters for sequential macros constructed from C-modules can be obtained from the DirectTime Analyzer utility.
4. Setup and hold timing parameters for the input buffer latch are defined with respect to the PAD and the D input. External setup/hold timing parameters must account for delay from an external PAD signal to the G inputs. Delay from an external PAD signal to the G input subtracts (adds) to the internal setup (hold) time.

## A1280XL Timing Characteristics (continued)

(Worst-Case Military Conditions)

Input Module Propagation Delays			-1 Speed		Std Speed		
Parameter	Description		Min.	Max.	Min.	Max.	Units
t <sub>INYH</sub>	Pad to Y High			1.5		1.7	ns
t <sub>INYL</sub>	Pad to Y Low			1.7		2.1	ns
t <sub>INGH</sub>	G to Y High			2.8		3.3	ns
t <sub>INGL</sub>	G to Y Low			3.7		4.3	ns
Input Module Predicted Routing Delays <sup>1</sup>							
t <sub>RD1</sub>	FO=1 Routing Delay			4.6		5.3	ns
t <sub>RD2</sub>	FO=2 Routing Delay			5.2		6.1	ns
t <sub>RD3</sub>	FO=3 Routing Delay			5.5		6.5	ns
t <sub>RD4</sub>	FO=4 Routing Delay			6.4		7.5	ns
t <sub>RD8</sub>	FO=8 Routing Delay			9.2		10.8	ns
Global Clock Network							
t <sub>CKH</sub>	Input Low to High	FO = 32 FO = 384		7.1 8.0		8.4 9.5	ns
t <sub>CKL</sub>	Input High to Low	FO = 32 FO = 384		7.0 8.0		8.3 9.5	ns
t <sub>PWH</sub>	Minimum Pulse Width High	FO = 32 FO = 384	4.3 4.8		5.3 5.7		ns
t <sub>PWL</sub>	Minimum Pulse Width Low	FO = 32 FO = 384	4.3 4.8		5.3 5.7		ns
t <sub>CKSW</sub>	Maximum Skew	FO = 32 FO = 384		1.1 1.1		1.2 1.2	ns
t <sub>SUEXT</sub>	Input Latch External Setup	FO = 32 FO = 384	0.0 0.0		0.0 0.0		ns
t <sub>HEXT</sub>	Input Latch External Hold	FO = 32 FO = 384	3.6 4.6		4.2 5.3		ns
t <sub>P</sub>	Minimum Period	FO = 32 FO = 384	9.1 9.8		10.7 11.8		ns
f <sub>MAX</sub>	Maximum Frequency	FO = 32 FO = 384		110 100		90 85	MHz

**Note:**

1. These parameters should be used for estimating device performance. Optimization techniques may further reduce delays by 0 to 4 ns. Routing delays are for typical designs across worst-case operating conditions. Post-route timing analysis or simulation is required to determine actual worst-case performance. Post-route timing is based on actual routing delay measurements performed on the device prior to shipment.

## A1280XL Timing Characteristics (continued)

(Worst-Case Military Conditions)

Output Module Timing		-1 Speed		Std Speed		
Parameter	Description	Min.	Max.	Min.	Max.	Units
<b>TTL Output Module Timing<sup>1</sup></b>						
t <sub>DLH</sub>	Data to Pad High		5.3		6.2	ns
t <sub>DHL</sub>	Data to Pad Low		5.7		6.6	ns
t <sub>ENZH</sub>	Enable Pad Z to High		5.3		6.2	ns
t <sub>ENZL</sub>	Enable Pad Z to Low		5.8		6.8	ns
t <sub>ENHZ</sub>	Enable Pad High to Z		7.5		8.9	ns
t <sub>ENLZ</sub>	Enable Pad Low to Z		7.5		8.9	ns
t <sub>GLH</sub>	G to Pad High		5.9		6.9	ns
t <sub>GHL</sub>	G to Pad Low		6.6		7.8	ns
d <sub>TLH</sub>	Delta Low to High		0.05		0.06	ns/pF
d <sub>THL</sub>	Delta High to Low		0.05		0.09	ns/pF
<b>CMOS Output Module Timing<sup>1</sup></b>						
t <sub>DLH</sub>	Data to Pad High		6.6		7.9	ns
t <sub>DHL</sub>	Data to Pad Low		4.7		5.5	ns
t <sub>ENZH</sub>	Enable Pad Z to High		5.3		6.2	ns
t <sub>ENZL</sub>	Enable Pad Z to Low		5.8		6.8	ns
t <sub>ENHZ</sub>	Enable Pad High to Z		7.5		8.9	ns
t <sub>ENLZ</sub>	Enable Pad Low to Z		7.5		8.9	ns
t <sub>GLH</sub>	G to Pad High		5.9		6.9	ns
t <sub>GHL</sub>	G to Pad Low		6.6		7.8	ns
d <sub>TLH</sub>	Delta Low to High		0.07		0.09	ns/pF
d <sub>THL</sub>	Delta High to Low		0.06		0.09	ns/pF

**Notes:**

1. Delays based on 50 pF loading.
2. SSO information can be found in the "Simultaneously Switching Output Limits for Actel FPGAs" application note.

## A1425A Timing Characteristics

(Worst-Case Military Conditions)

Logic Module Propagation Delays <sup>1</sup>		-1 Speed		Std Speed		
Parameter	Description	Min.	Max.	Min.	Max.	Units
t <sub>PD</sub>	Internal Array Module		3.0		3.5	ns
t <sub>CO</sub>	Sequential Clock to Q		3.0		3.5	ns
t <sub>CLR</sub>	Asynchronous Clear to Q		3.0		3.5	ns
Predicted Routing Delays <sup>2</sup>						
t <sub>RD1</sub>	FO=1 Routing Delay		1.3		1.5	ns
t <sub>RD2</sub>	FO=2 Routing Delay		1.9		2.1	ns
t <sub>RD3</sub>	FO=3 Routing Delay		2.1		2.5	ns
t <sub>RD4</sub>	FO=4 Routing Delay		2.6		2.9	ns
t <sub>RD8</sub>	FO=8 Routing Delay		4.2		4.9	ns
Logic Module Sequential Timing						
t <sub>SUD</sub>	Flip-Flop (Latch) Data Input Setup	0.9		1.0		ns
t <sub>HD</sub>	Flip-Flop (Latch) Data Input Hold	0.0		0.0		ns
t <sub>SUENA</sub>	Flip-Flop (Latch) Enable Setup	0.9		1.0		ns
t <sub>HENA</sub>	Flip-Flop (Latch) Enable Hold	0.0		0.0		ns
t <sub>WASYN</sub>	Asynchronous Pulse Width	3.8		4.4		ns
t <sub>WCLKA</sub>	Flip-Flop Clock Pulse Width	3.8		4.4		ns
t <sub>A</sub>	Flip-Flop Clock Input Period	7.9		9.3		ns
f <sub>MAX</sub>	Flip-Flop Clock Frequency		125		100	MHz

### Notes:

1. For dual-module macros, use  $t_{PD} + t_{RD1} + t_{PDn}$ ,  $t_{CO} + t_{RD1} + t_{PDn}$ , or  $t_{PD1} + t_{RD1} + t_{SUD}$ , whichever is appropriate.
2. Routing delays are for typical designs across worst-case operating conditions. These parameters should be used for estimating device performance. Post-route timing analysis or simulation is required to determine actual worst-case performance. Post-route timing is based on actual routing delay measurements performed on the device prior to shipment.

## A1425A Timing Characteristics (continued)

(Worst-Case Military Conditions)

I/O Module Input Propagation Delays		–1 Speed		Std Speed		
Parameter	Description	Min.	Max.	Min.	Max.	Units
t <sub>INY</sub>	Input Data Pad to Y		4.2		4.9	ns
t <sub>ICKY</sub>	Input Reg IOCLK Pad to Y		7.0		8.2	ns
t <sub>OOCKY</sub>	Output Reg IOCLK Pad to Y		7.0		8.2	ns
t <sub>ICLRY</sub>	Input Asynchronous Clear to Y		7.0		8.2	ns
t <sub>OCLRY</sub>	Output Asynchronous Clear to Y		7.0		8.2	ns
<b>Predicted Input Routing Delays<sup>1</sup></b>						
t <sub>IRD1</sub>	FO=1 Routing Delay		1.3		1.5	ns
t <sub>IRD2</sub>	FO=2 Routing Delay		1.9		2.1	ns
t <sub>IRD3</sub>	FO=3 Routing Delay		2.1		2.5	ns
t <sub>IRD4</sub>	FO=4 Routing Delay		2.6		2.9	ns
t <sub>IRD8</sub>	FO=8 Routing Delay		4.2		4.9	ns
<b>I/O Module Sequential Timing</b>						
t <sub>INH</sub>	Input F-F Data Hold (w.r.t. IOCLK Pad)	0.0		0.0		ns
t <sub>INSU</sub>	Input F-F Data Setup (w.r.t. IOCLK Pad)	2.1		2.4		ns
t <sub>IDEH</sub>	Input Data Enable Hold (w.r.t. IOCLK Pad)	0.0		0.0		ns
t <sub>IDESU</sub>	Input Data Enable Setup (w.r.t. IOCLK Pad)	8.7		10.0		ns
t <sub>OUTH</sub>	Output F-F Data Hold (w.r.t. IOCLK Pad)	1.1		1.2		ns
t <sub>OUTSU</sub>	Output F-F Data Setup (w.r.t. IOCLK Pad)	1.1		1.2		ns
t <sub>ODEH</sub>	Output Data Enable Hold (w.r.t. IOCLK Pad)	0.5		0.6		ns
t <sub>ODESU</sub>	Output Data Enable Setup (w.r.t. IOCLK Pad)	2.0		2.4		ns

**Note:**

1. Routing delays are for typical designs across worst-case operating conditions. These parameters should be used for estimating device performance. Post-route timing analysis or simulation is required to determine actual worst-case performance. Post-route timing is based on actual routing delay measurements performed on the device prior to shipment.

A1425A Timing Characteristics (continued)

(Worst-Case Military Conditions)

I/O Module – TTL Output Timing <sup>1</sup>		–1 Speed		Std Speed		
Parameter	Description	Min.	Max.	Min.	Max.	Units
t <sub>DHS</sub>	Data to Pad, High Slew		7.5		8.9	ns
t <sub>DLS</sub>	Data to Pad, Low Slew		11.9		14.0	ns
t <sub>ENZHS</sub>	Enable to Pad, Z to H/L, Hi Slew		6.0		7.0	ns
t <sub>ENZLS</sub>	Enable to Pad, Z to H/L, Lo Slew		10.9		12.8	ns
t <sub>ENHSZ</sub>	Enable to Pad, H/L to Z, Hi Slew		9.9		11.6	ns
t <sub>ENLSZ</sub>	Enable to Pad, H/L to Z, Lo Slew		9.9		11.6	ns
t <sub>CKHS</sub>	IOCLK Pad to Pad H/L, Hi Slew		10.5		11.6	ns
t <sub>CKLS</sub>	IOCLK Pad to Pad H/L, Lo Slew		15.7		17.4	ns
d <sub>TLHHS</sub>	Delta Low to High, Hi Slew		0.04		0.04	ns/pF
d <sub>TLHLS</sub>	Delta Low to High, Lo Slew		0.07		0.08	ns/pF
d <sub>THLHS</sub>	Delta High to Low, Hi Slew		0.05		0.06	ns/pF
d <sub>THLLS</sub>	Delta High to Low, Lo Slew		0.07		0.08	ns/pF
I/O Module – CMOS Output Timing <sup>1</sup>						
t <sub>DHS</sub>	Data to Pad, High Slew		9.2		10.8	ns
t <sub>DLS</sub>	Data to Pad, Low Slew		17.3		20.3	ns
t <sub>ENZHS</sub>	Enable to Pad, Z to H/L, Hi Slew		7.7		9.1	ns
t <sub>ENZLS</sub>	Enable to Pad, Z to H/L, Lo Slew		13.1		15.5	ns
t <sub>ENHSZ</sub>	Enable to Pad, H/L to Z, Hi Slew		9.9		11.6	ns
t <sub>ENLSZ</sub>	Enable to Pad, H/L to Z, Lo Slew		10.5		11.6	ns
t <sub>CKHS</sub>	IOCLK Pad to Pad H/L, Hi Slew		12.5		13.7	ns
t <sub>CKLS</sub>	IOCLK Pad to Pad H/L, Lo Slew		18.1		20.1	ns
d <sub>TLHHS</sub>	Delta Low to High, Hi Slew		0.06		0.07	ns/pF
d <sub>TLHLS</sub>	Delta Low to High, Lo Slew		0.11		0.13	ns/pF
d <sub>THLHS</sub>	Delta High to Low, Hi Slew		0.04		0.05	ns/pF
d <sub>THLLS</sub>	Delta High to Low, Lo Slew		0.05		0.06	ns/pF

**Notes:**

1. Delays based on 35 pF loading.
2. SSO information can be found in the “Simultaneously Switching Output Limits for Actel FPGAs” application note.



## A1425A Timing Characteristics (continued)

(Worst-Case Military Conditions)

<b>Dedicated (Hard-Wired) I/O Clock Network</b>		<b>-1 Speed</b>		<b>Std Speed</b>		
<b>Parameter</b>	<b>Description</b>	<b>Min.</b>	<b>Max.</b>	<b>Min.</b>	<b>Max.</b>	<b>Units</b>
$t_{\text{IOCKH}}$	Input Low to High (Pad to I/O Module Input)		3.0		3.5	ns
$t_{\text{IOPWH}}$	Minimum Pulse Width High	3.9		4.4		ns
$t_{\text{IOPWL}}$	Minimum Pulse Width Low	3.9		4.4		ns
$t_{\text{IOSAPW}}$	Minimum Asynchronous Pulse Width	3.9		4.4		ns
$t_{\text{IOCKSW}}$	Maximum Skew		0.5		0.5	ns
$t_{\text{IOP}}$	Minimum Period	7.9		9.3		ns
$f_{\text{IOMAX}}$	Maximum Frequency		125		100	MHz
<b>Dedicated (Hard-Wired) Array Clock Network</b>						
$t_{\text{HCKH}}$	Input Low to High (Pad to S-Module Input)		4.6		5.3	ns
$t_{\text{HCKL}}$	Input High to Low (Pad to S-Module Input)		4.6		5.3	ns
$t_{\text{HPWH}}$	Minimum Pulse Width High	3.9		4.4		ns
$t_{\text{HPWL}}$	Minimum Pulse Width Low	3.9		4.4		ns
$t_{\text{HCKSW}}$	Maximum Skew		0.4		0.4	ns
$t_{\text{HP}}$	Minimum Period	7.9		9.3		ns
$f_{\text{HMAX}}$	Maximum Frequency		125		100	MHz
<b>Routed Array Clock Networks</b>						
$t_{\text{RCKH}}$	Input Low to High (FO=64)		5.5		6.4	ns
$t_{\text{RCKL}}$	Input High to Low (FO=64)		6.0		7.0	ns
$t_{\text{RPWH}}$	Min. Pulse Width High (FO=64)	4.9		5.7		ns
$t_{\text{RPWL}}$	Min. Pulse Width Low (FO=64)	4.9		5.7		ns
$t_{\text{RCKSW}}$	Maximum Skew (FO=128)		1.1		1.2	ns
$t_{\text{RP}}$	Minimum Period (FO=64)	10.1		11.6		ns
$f_{\text{RMAX}}$	Maximum Frequency (FO=64)		100		85	MHz
<b>Clock-to-Clock Skews</b>						
$t_{\text{IOHCKSW}}$	I/O Clock to H-Clock Skew	0.0	3.0	0.0	3.0	ns
$t_{\text{IORCKSW}}$	I/O Clock to R-Clock Skew	0.0	3.0	0.0	3.0	ns
$t_{\text{HRCKSW}}$	H-Clock to R-Clock Skew (FO = 64)	0.0	1.0	0.0	1.0	ns
	(FO = 50% max.)	0.0	3.0	0.0	3.0	ns

**Note:**

1. Delays based on 35 pF loading.

## A1460A Timing Characteristics

(Worst-Case Military Conditions)

Logic Module Propagation Delays <sup>1</sup>		-1 Speed		Std Speed		
Parameter	Description	Min.	Max.	Min.	Max.	Units
t <sub>PD</sub>	Internal Array Module		3.0		3.5	ns
t <sub>CO</sub>	Sequential Clock to Q		3.0		3.5	ns
t <sub>CLR</sub>	Asynchronous Clear to Q		3.0		3.5	ns
Predicted Routing Delays <sup>2</sup>						
t <sub>RD1</sub>	FO=1 Routing Delay		1.3		1.5	ns
t <sub>RD2</sub>	FO=2 Routing Delay		1.9		2.1	ns
t <sub>RD3</sub>	FO=3 Routing Delay		2.1		2.5	ns
t <sub>RD4</sub>	FO=4 Routing Delay		2.6		2.9	ns
t <sub>RD8</sub>	FO=8 Routing Delay		4.2		4.9	ns
Logic Module Sequential Timing						
t <sub>SUD</sub>	Flip-Flop (Latch) Data Input Setup	0.9		1.0		ns
t <sub>HD</sub>	Flip-Flop (Latch) Data Input Hold	0.0		0.0		ns
t <sub>SUENA</sub>	Flip-Flop (Latch) Enable Setup	0.9		1.0		ns
t <sub>HENA</sub>	Flip-Flop (Latch) Enable Hold	0.0		0.0		ns
t <sub>WASYN</sub>	Asynchronous Pulse Width	4.8		5.6		ns
t <sub>WCLKA</sub>	Flip-Flop Clock Pulse Width	4.8		5.6		ns
t <sub>A</sub>	Flip-Flop Clock Input Period	9.9		11.6		ns
f <sub>MAX</sub>	Flip-Flop Clock Frequency		100		85	MHz

### Notes:

1. For dual-module macros, use  $t_{PD} + t_{RD1} + t_{PDn}$ ,  $t_{CO} + t_{RD1} + t_{PDn}$ , or  $t_{PD1} + t_{RD1} + t_{SUD}$ , whichever is appropriate.
2. Routing delays are for typical designs across worst-case operating conditions. These parameters should be used for estimating device performance. Post-route timing analysis or simulation is required to determine actual worst-case performance. Post-route timing is based on actual routing delay measurements performed on the device prior to shipment.

## A1460A Timing Characteristics (continued)

(Worst-Case Military Conditions)

I/O Module Input Propagation Delays		-1 Speed		Std Speed		
Parameter	Description	Min.	Max.	Min.	Max.	Units
t <sub>INY</sub>	Input Data Pad to Y		4.2		4.9	ns
t <sub>ICKY</sub>	Input Reg IOCLK Pad to Y		7.0		8.2	ns
t <sub>OCKY</sub>	Output Reg IOCLK Pad to Y		7.0		8.2	ns
t <sub>ICLRY</sub>	Input Asynchronous Clear to Y		7.0		8.2	ns
t <sub>OCLRY</sub>	Output Asynchronous Clear to Y		7.0		8.2	ns
<b>Predicted Input Routing Delays<sup>1</sup></b>						
t <sub>IRD1</sub>	FO=1 Routing Delay		1.3		1.5	ns
t <sub>IRD2</sub>	FO=2 Routing Delay		1.9		2.1	ns
t <sub>IRD3</sub>	FO=3 Routing Delay		2.1		2.5	ns
t <sub>IRD4</sub>	FO=4 Routing Delay		2.6		2.9	ns
t <sub>IRD8</sub>	FO=8 Routing Delay		4.2		4.9	ns
<b>I/O Module Sequential Timing</b>						
t <sub>INH</sub>	Input F-F Data Hold (w.r.t. IOCLK Pad)	0.0		0.0		ns
t <sub>INSU</sub>	Input F-F Data Setup (w.r.t. IOCLK Pad)	2.1		2.4		ns
t <sub>IDEH</sub>	Input Data Enable Hold (w.r.t. IOCLK Pad)	0.0		0.0		ns
t <sub>IDESU</sub>	Input Data Enable Setup (w.r.t. IOCLK Pad)	8.7		10.0		ns
t <sub>OUTH</sub>	Output F-F Data Hold (w.r.t. IOCLK Pad)	1.1		1.2		ns
t <sub>OUTSU</sub>	Output F-F Data Setup (w.r.t. IOCLK Pad)	1.1		1.2		ns
t <sub>ODEH</sub>	Output Data Enable Hold (w.r.t. IOCLK Pad)	0.5		0.6		ns
t <sub>ODESU</sub>	Output Data Enable Setup (w.r.t. IOCLK Pad)	2.0		2.4		ns

**Note:**

1. Routing delays are for typical designs across worst-case operating conditions. These parameters should be used for estimating device performance. Post-route timing analysis or simulation is required to determine actual worst-case performance. Post-route timing is based on actual routing delay measurements performed on the device prior to shipment.

A1460A Timing Characteristics (continued)

(Worst-Case Military Conditions)

I/O Module – TTL Output Timing <sup>1</sup>		–1 Speed		Std Speed		
Parameter	Description	Min.	Max.	Min.	Max.	Units
t <sub>DHS</sub>	Data to Pad, High Slew		7.5		8.9	ns
t <sub>DLS</sub>	Data to Pad, Low Slew		11.9		14.0	ns
t <sub>ENZHS</sub>	Enable to Pad, Z to H/L, Hi Slew		6.0		7.0	ns
t <sub>ENZLS</sub>	Enable to Pad, Z to H/L, Lo Slew		10.9		12.8	ns
t <sub>ENHSZ</sub>	Enable to Pad, H/L to Z, Hi Slew		11.5		13.5	ns
t <sub>ENLSZ</sub>	Enable to Pad, H/L to Z, Lo Slew		10.9		12.8	ns
t <sub>CKHS</sub>	IOCLK Pad to Pad H/L, Hi Slew		11.6		13.4	ns
t <sub>CKLS</sub>	IOCLK Pad to Pad H/L, Lo Slew		17.8		19.8	ns
d <sub>TLHHS</sub>	Delta Low to High, Hi Slew		0.04		0.04	ns/pF
d <sub>TLHLS</sub>	Delta Low to High, Lo Slew		0.07		0.08	ns/pF
d <sub>THLHS</sub>	Delta High to Low, Hi Slew		0.05		0.06	ns/pF
d <sub>THLLS</sub>	Delta High to Low, Lo Slew		0.07		0.08	ns/pF
I/O Module – CMOS Output Timing <sup>1</sup>						
t <sub>DHS</sub>	Data to Pad, High Slew		9.2		10.8	ns
t <sub>DLS</sub>	Data to Pad, Low Slew		17.3		20.3	ns
t <sub>ENZHS</sub>	Enable to Pad, Z to H/L, Hi Slew		7.7		9.1	ns
t <sub>ENZLS</sub>	Enable to Pad, Z to H/L, Lo Slew		13.1		15.5	ns
t <sub>ENHSZ</sub>	Enable to Pad, H/L to Z, Hi Slew		10.9		12.8	ns
t <sub>ENLSZ</sub>	Enable to Pad, H/L to Z, Lo Slew		10.9		12.8	ns
t <sub>CKHS</sub>	IOCLK Pad to Pad H/L, Hi Slew		14.1		16.0	ns
t <sub>CKLS</sub>	IOCLK Pad to Pad H/L, Lo Slew		20.2		22.4	ns
d <sub>TLHHS</sub>	Delta Low to High, Hi Slew		0.06		0.07	ns/pF
d <sub>TLHLS</sub>	Delta Low to High, Lo Slew		0.11		0.13	ns/pF
d <sub>THLHS</sub>	Delta High to Low, Hi Slew		0.04		0.05	ns/pF
d <sub>THLLS</sub>	Delta High to Low, Lo Slew		0.05		0.06	ns/pF

**Notes:**

1. Delays based on 35 pF loading.
2. SSO information can be found in the "Simultaneously Switching Output Limits for Actel FPGAs" application note.

## A1460A Timing Characteristics (continued)

(Worst-Case Military Conditions)

<b>Dedicated (Hard-Wired) I/O Clock Network</b>		<b>-1 Speed</b>		<b>Std Speed</b>		
<b>Parameter</b>	<b>Description</b>	<b>Min.</b>	<b>Max.</b>	<b>Min.</b>	<b>Max.</b>	<b>Units</b>
t <sub>IOCKH</sub>	Input Low to High (Pad to I/O Module Input)		3.5		4.1	ns
t <sub>IOPWH</sub>	Minimum Pulse Width High	4.8		5.7		ns
t <sub>IOPWL</sub>	Minimum Pulse Width Low	4.8		5.7		ns
t <sub>IOSAPW</sub>	Minimum Asynchronous Pulse Width	3.9		4.4		ns
t <sub>IOCKSW</sub>	Maximum Skew		0.9		1.0	ns
t <sub>IOP</sub>	Minimum Period	9.9		11.6		ns
f <sub>IOMAX</sub>	Maximum Frequency		100		85	MHz
<b>Dedicated (Hard-Wired) Array Clock Network</b>						
t <sub>HCKH</sub>	Input Low to High (Pad to S-Module Input)		5.5		6.4	ns
t <sub>HCKL</sub>	Input High to Low (Pad to S-Module Input)		5.5		6.4	ns
t <sub>HPWH</sub>	Minimum Pulse Width High	4.8		5.7		ns
t <sub>HPWL</sub>	Minimum Pulse Width Low	4.8		5.7		ns
t <sub>HCKSW</sub>	Maximum Skew		0.9		1.0	ns
t <sub>HP</sub>	Minimum Period	9.9		11.6		ns
f <sub>HMAX</sub>	Maximum Frequency		100		85	MHz
<b>Routed Array Clock Networks</b>						
t <sub>RCKH</sub>	Input Low to High (FO=256)		9.0		10.5	ns
t <sub>RCKL</sub>	Input High to Low (FO=256)		9.0		10.5	ns
t <sub>RPWH</sub>	Min. Pulse Width High (FO=256)	6.3		7.1		ns
t <sub>RPWL</sub>	Min. Pulse Width Low (FO=256)	6.3		7.1		ns
t <sub>RCKSW</sub>	Maximum Skew (FO=128)		1.9		2.1	ns
t <sub>RP</sub>	Minimum Period (FO=256)	12.9		14.5		ns
f <sub>RMAX</sub>	Maximum Frequency (FO=256)		75		65	MHz
<b>Clock-to-Clock Skews</b>						
t <sub>IOHCKSW</sub>	I/O Clock to H-Clock Skew	0.0	3.0	0.0	3.0	ns
t <sub>IORCKSW</sub>	I/O Clock to R-Clock Skew	0.0	5.0	0.0	5.0	ns
t <sub>HRCKSW</sub>	H-Clock to R-Clock Skew (FO = 64)	0.0	1.0	0.0	1.0	ns
	(FO = 50% max.)	0.0	3.0	0.0	3.0	ns

**Note:**

1. Delays based on 35 pF loading.

## A14100A Timing Characteristics

(Worst-Case Military Conditions)

Logic Module Propagation Delays <sup>1</sup>		-1 Speed		Std Speed		
Parameter	Description	Min.	Max.	Min.	Max.	Units
t <sub>PD</sub>	Internal Array Module		3.0		3.5	ns
t <sub>CO</sub>	Sequential Clock to Q		3.0		3.5	ns
t <sub>CLR</sub>	Asynchronous Clear to Q		3.0		3.5	ns
Predicted Routing Delays <sup>2</sup>						
t <sub>RD1</sub>	FO=1 Routing Delay		1.3		1.5	ns
t <sub>RD2</sub>	FO=2 Routing Delay		1.9		2.1	ns
t <sub>RD3</sub>	FO=3 Routing Delay		2.1		2.5	ns
t <sub>RD4</sub>	FO=4 Routing Delay		2.6		2.9	ns
t <sub>RD8</sub>	FO=8 Routing Delay		4.2		4.9	ns
Logic Module Sequential Timing						
t <sub>SUD</sub>	Flip-Flop (Latch) Data Input Setup	1.0		1.0		ns
t <sub>HD</sub>	Flip-Flop (Latch) Data Input Hold	0.6		0.6		ns
t <sub>SUENA</sub>	Flip-Flop (Latch) Enable Setup	1.0		1.0		ns
t <sub>HENA</sub>	Flip-Flop (Latch) Enable Hold	0.6		0.6		ns
t <sub>WASYN</sub>	Asynchronous Pulse Width	4.8		5.6		ns
t <sub>WCLKA</sub>	Flip-Flop Clock Pulse Width	4.8		5.6		ns
t <sub>A</sub>	Flip-Flop Clock Input Period	9.9		11.6		ns
f <sub>MAX</sub>	Flip-Flop Clock Frequency		100		85	MHz

### Notes:

1. For dual-module macros, use  $t_{PD} + t_{RD1} + t_{PDn}$ ,  $t_{CO} + t_{RD1} + t_{PDn}$ , or  $t_{PD1} + t_{RD1} + t_{SUD}$ , whichever is appropriate.
2. Routing delays are for typical designs across worst-case operating conditions. These parameters should be used for estimating device performance. Post-route timing analysis or simulation is required to determine actual worst-case performance. Post-route timing is based on actual routing delay measurements performed on the device prior to shipment.

## A14100A Timing Characteristics (continued)

(Worst-Case Military Conditions)

I/O Module Input Propagation Delays		-1 Speed		Std Speed		
Parameter	Description	Min.	Max.	Min.	Max.	Units
t <sub>IN</sub>	Input Data Pad to Y		4.2		4.9	ns
t <sub>ICKY</sub>	Input Reg IOCLK Pad to Y		7.0		8.2	ns
t <sub>OCKY</sub>	Output Reg IOCLK Pad to Y		7.0		8.2	ns
t <sub>ICLRY</sub>	Input Asynchronous Clear to Y		7.0		8.2	ns
t <sub>OCLRY</sub>	Output Asynchronous Clear to Y		7.0		8.2	ns
<b>Predicted Input Routing Delays<sup>1</sup></b>						
t <sub>IRD1</sub>	FO=1 Routing Delay		1.3		1.5	ns
t <sub>IRD2</sub>	FO=2 Routing Delay		1.9		2.1	ns
t <sub>IRD3</sub>	FO=3 Routing Delay		2.1		2.5	ns
t <sub>IRD4</sub>	FO=4 Routing Delay		2.6		2.9	ns
t <sub>IRD8</sub>	FO=8 Routing Delay		4.2		4.9	ns
<b>I/O Module Sequential Timing</b>						
t <sub>INH</sub>	Input F-F Data Hold (w.r.t. IOCLK Pad)	0.0		0.0		ns
t <sub>INSU</sub>	Input F-F Data Setup (w.r.t. IOCLK Pad)	2.1		2.4		ns
t <sub>IDEH</sub>	Input Data Enable Hold (w.r.t. IOCLK Pad)	0.0		0.0		ns
t <sub>IDESU</sub>	Input Data Enable Setup (w.r.t. IOCLK Pad)	8.7		10.0		ns
t <sub>OUTH</sub>	Output F-F Data Hold (w.r.t. IOCLK Pad)	1.2		1.2		ns
t <sub>OUTSU</sub>	Output F-F Data Setup (w.r.t. IOCLK Pad)	1.2		1.2		ns
t <sub>ODEH</sub>	Output Data Enable Hold (w.r.t. IOCLK Pad)	0.6		0.6		ns
t <sub>ODESU</sub>	Output Data Enable Setup (w.r.t. IOCLK Pad)	2.4		2.4		ns

**Note:**

1. Routing delays are for typical designs across worst-case operating conditions. These parameters should be used for estimating device performance. Post-route timing analysis or simulation is required to determine actual worst-case performance. Post-route timing is based on actual routing delay measurements performed on the device prior to shipment.

A14100A Timing Characteristics (continued)

(Worst-Case Military Conditions)

I/O Module – TTL Output Timing <sup>1</sup>		–1 Speed		Std Speed		
Parameter	Description	Min.	Max.	Min.	Max.	Units
t <sub>DHS</sub>	Data to Pad, High Slew		7.5		8.9	ns
t <sub>DLS</sub>	Data to Pad, Low Slew		11.9		14.0	ns
t <sub>ENZHS</sub>	Enable to Pad, Z to H/L, Hi Slew		6.0		7.0	ns
t <sub>ENZLS</sub>	Enable to Pad, Z to H/L, Lo Slew		10.9		12.8	ns
t <sub>ENHSZ</sub>	Enable to Pad, H/L to Z, Hi Slew		11.9		14.0	ns
t <sub>ENLSZ</sub>	Enable to Pad, H/L to Z, Lo Slew		10.9		12.8	ns
t <sub>CKHS</sub>	IOCLK Pad to Pad H/L, Hi Slew		12.2		14.0	ns
t <sub>CKLS</sub>	IOCLK Pad to Pad H/L, Lo Slew		17.8		17.8	ns
d <sub>TLHHS</sub>	Delta Low to High, Hi Slew		0.04		0.04	ns/pF
d <sub>TLHLS</sub>	Delta Low to High, Lo Slew		0.07		0.08	ns/pF
d <sub>THLHS</sub>	Delta High to Low, Hi Slew		0.05		0.06	ns/pF
d <sub>THLLS</sub>	Delta High to Low, Lo Slew		0.07		0.08	ns/pF
I/O Module – CMOS Output Timing <sup>1</sup>						
t <sub>DHS</sub>	Data to Pad, High Slew		9.2		10.8	ns
t <sub>DLS</sub>	Data to Pad, Low Slew		17.3		20.3	ns
t <sub>ENZHS</sub>	Enable to Pad, Z to H/L, Hi Slew		7.7		9.1	ns
t <sub>ENZLS</sub>	Enable to Pad, Z to H/L, Lo Slew		13.1		15.5	ns
t <sub>ENHSZ</sub>	Enable to Pad, H/L to Z, Hi Slew		11.6		14.0	ns
t <sub>ENLSZ</sub>	Enable to Pad, H/L to Z, Lo Slew		10.9		12.8	ns
t <sub>CKHS</sub>	IOCLK Pad to Pad H/L, Hi Slew		14.4		16.0	ns
t <sub>CKLS</sub>	IOCLK Pad to Pad H/L, Lo Slew		20.2		22.4	ns
d <sub>TLHHS</sub>	Delta Low to High, Hi Slew		0.06		0.07	ns/pF
d <sub>TLHLS</sub>	Delta Low to High, Lo Slew		0.11		0.13	ns/pF
d <sub>THLHS</sub>	Delta High to Low, Hi Slew		0.04		0.05	ns/pF
d <sub>THLLS</sub>	Delta High to Low, Lo Slew		0.05		0.06	ns/pF

**Notes:**

1. Delays based on 35 pF loading.
2. SSO information can be found in the "Simultaneously Switching Output Limits for Actel FPGAs" application note.



## A14100A Timing Characteristics (continued)

(Worst-Case Military Conditions)

<b>Dedicated (Hard-Wired) I/O Clock Network</b>		<b>-1 Speed</b>		<b>Std Speed</b>		
<b>Parameter</b>	<b>Description</b>	<b>Min.</b>	<b>Max.</b>	<b>Min.</b>	<b>Max.</b>	<b>Units</b>
t <sub>IOCKH</sub>	Input Low to High (Pad to I/O Module Input)		3.5		4.1	ns
t <sub>IOPWH</sub>	Minimum Pulse Width High	4.8		5.7		ns
t <sub>IOPWL</sub>	Minimum Pulse Width Low	4.8		5.7		ns
t <sub>IOSAPW</sub>	Minimum Asynchronous Pulse Width	3.9		4.4		ns
t <sub>IOCKSW</sub>	Maximum Skew		0.9		1.0	ns
t <sub>IOP</sub>	Minimum Period	9.9		11.6		ns
f <sub>IOMAX</sub>	Maximum Frequency		100		85	MHz
<b>Dedicated (Hard-Wired) Array Clock Network</b>						
t <sub>HCKH</sub>	Input Low to High (Pad to S-Module Input)		5.5		6.4	ns
t <sub>HCKL</sub>	Input High to Low (Pad to S-Module Input)		5.5		6.4	ns
t <sub>HPWH</sub>	Minimum Pulse Width High	4.8		5.7		ns
t <sub>HPWL</sub>	Minimum Pulse Width Low	4.8		5.7		ns
t <sub>HCKSW</sub>	Maximum Skew		0.9		1.0	ns
t <sub>HP</sub>	Minimum Period	9.9		11.6		ns
f <sub>HMAX</sub>	Maximum Frequency		100		85	MHz
<b>Routed Array Clock Networks</b>						
t <sub>RCKH</sub>	Input Low to High (FO=256)		9.0		10.5	ns
t <sub>RCKL</sub>	Input High to Low (FO=256)		9.0		10.5	ns
t <sub>RPWH</sub>	Min. Pulse Width High (FO=256)	6.3		7.1		ns
t <sub>RPWL</sub>	Min. Pulse Width Low (FO=256)	6.3		7.1		ns
t <sub>RCKSW</sub>	Maximum Skew (FO=128)		1.9		2.1	ns
t <sub>RP</sub>	Minimum Period (FO=256)	12.9		14.5		ns
f <sub>RMAX</sub>	Maximum Frequency (FO=256)		75		65	MHz
<b>Clock-to-Clock Skews</b>						
t <sub>IOHCKSW</sub>	I/O Clock to H-Clock Skew	0.0	3.5	0.0	3.5	ns
t <sub>IORCKSW</sub>	I/O Clock to R-Clock Skew	0.0	5.0	0.0	5.0	ns
t <sub>HRCKSW</sub>	H-Clock to R-Clock Skew (FO = 64)	0.0	1.0	0.0	1.0	ns
	(FO = 50% max.)	0.0	3.0	0.0	3.0	

**Note:**

1. Delays based on 35 pF loading.

## A32100DX Timing Characteristics

(Worst-Case Military Conditions)

Logic Module Propagation Delays		'-1' Speed		'Std' Speed		
Parameter	Description	Min.	Max.	Min.	Max.	Units
<b>Combinatorial Functions</b>						
t <sub>PD</sub>	Internal Array Module Delay		3.1		4.1	ns
t <sub>PDD</sub>	Internal Decode Module Delay		3.3		4.3	ns
<b>Predicted Module Routing Delays</b>						
t <sub>RD1</sub>	FO=1 Routing Delay		1.3		1.8	ns
t <sub>RD2</sub>	FO=2 Routing Delay		1.9		2.6	ns
t <sub>RD3</sub>	FO=3 Routing Delay		2.6		3.4	ns
t <sub>RD4</sub>	FO=4 Routing Delay		3.3		4.3	ns
t <sub>RD5</sub>	FO=8 Routing Delay		0.6		0.8	ns
t <sub>RDD</sub>	Decode-to-Output Routing Delay		0.5		0.6	ns
<b>Sequential Timing Characteristics</b>						
t <sub>CO</sub>	Flip-Flop Clock-to-Output		3.1		4.1	ns
t <sub>GO</sub>	Latch Gate-to-Output		3.1		4.1	ns
t <sub>SU</sub>	Flip-Flop (Latch) Setup Time	0.5		0.6		ns
t <sub>H</sub>	Flip-Flop (Latch) Hold Time	0.0		0.0		ns
t <sub>RO</sub>	Flip-Flop (Latch) Reset to Output		3.1		4.1	ns
t <sub>SUENA</sub>	Flip-Flop (Latch) Enable Setup	0.9		1.2		ns
t <sub>HENA</sub>	Flip-Flop (Latch) Enable Hold	0.0		0.0		ns
t <sub>WCLKA</sub>	Flip-Flop (Latch) Clock Active Pulse Width	4.3		5.8		ns
t <sub>WASYN</sub>	Flip-Flop (Latch) Asynchronous Pulse Width	5.6		7.5		ns

## A32100DX Timing Characteristics (continued)

(Worst-Case Military Conditions)

Logic Module Timing		'-1 Speed		'Std' Speed		
Parameter	Description	Min.	Max.	Min.	Max.	Units
<b>Synchronous SRAM Operations</b>						
t <sub>RC</sub>	Read Cycle Time	8.8		11.8		ns
t <sub>WC</sub>	Write Cycle Time	8.8		11.8		ns
t <sub>RCKHL</sub>	Clock High/Low Time	4.4		5.9		ns
t <sub>RCO</sub>	Data Valid After Clock High/Low		4.4		5.9	ns
t <sub>ADSU</sub>	Address/Data Setup Time	2.1		2.8		ns
t <sub>ADH</sub>	Address/Data Hold Time	0.0		0.0		ns
t <sub>RENSU</sub>	Read Enable Setup	0.8		1.1		ns
t <sub>RENH</sub>	Read Enable Hold	4.4		5.9		ns
t <sub>WENSU</sub>	Write Enable Setup	3.5		4.7		ns
t <sub>WENH</sub>	Write Enable Hold	0.0		0.0		ns
t <sub>BENS</sub>	Block Enable Setup	3.6		4.8		ns
t <sub>BENH</sub>	Block Enable Hold	0.0		0.0		ns
<b>Asynchronous SRAM Operations</b>						
t <sub>RPD</sub>	Asynchronous Access Time		10.6		14.1	ns
t <sub>RDADV</sub>	Read Address Valid	11.5		15.3		ns
t <sub>ADSU</sub>	Address/Data Setup Time	2.1		2.8		ns
t <sub>ADH</sub>	Address/Data Hold Time	0.0		0.0		ns
t <sub>RENSUA</sub>	Read Enable Setup to Address Valid	0.8		1.1		ns
t <sub>RENHA</sub>	Read Enable Hold	4.4		5.9		ns
t <sub>WENSU</sub>	Write Enable Setup	3.5		4.7		ns
t <sub>WENH</sub>	Write Enable Hold	0.0		0.0		ns
t <sub>DOH</sub>	Data Out Hold Time		1.6		2.1	ns

## A32100DX Timing Characteristics (continued)

(Worst-Case Military Conditions)

Input Module Propagation Delays			'-1' Speed		'Std' Speed		
Parameter	Description		Min.	Max.	Min.	Max.	Units
t <sub>INPY</sub>	Input Data Pad to Y			1.9		2.6	ns
t <sub>INGO</sub>	Input Latch Gate-to-Output <sup>1</sup>			4.0		5.3	ns
t <sub>INH</sub>	Input Latch Hold <sup>1</sup>		0.0		0.0		ns
t <sub>INSU</sub>	Input Latch Setup <sup>1</sup>		0.7		0.9		ns
t <sub>ILA</sub>	Latch Active Pulse Width <sup>1</sup>		6.1		8.1		ns
Input Module Predicted Routing Delays							
t <sub>IRD1</sub>	FO=1 Routing Delay			2.2		2.9	ns
t <sub>IRD2</sub>	FO=2 Routing Delay			2.8		3.8	ns
t <sub>IRD3</sub>	FO=3 Routing Delay			3.5		4.7	ns
t <sub>IRD4</sub>	FO=4 Routing Delay			3.5		4.7	ns
t <sub>IRD8</sub>	FO=8 Routing Delay			5.6		7.5	ns
Global Clock Network							
t <sub>CKH</sub>	Input Low to High	FO=32		6.5		8.7	ns
		FO=635		7.9		10.6	ns
t <sub>CKL</sub>	Input High to Low	FO=32		6.6		8.8	ns
		FO=635		8.8		11.8	ns
t <sub>PWH</sub>	Minimum Pulse Width High	FO=32	4.1		5.5		ns
		FO=635	4.6		6.1		ns
t <sub>PWL</sub>	Minimum Pulse Width Low	FO=32	4.1		5.5		ns
		FO=635	4.6		6.1		ns
t <sub>CKSW</sub>	Maximum Skew	FO=32		1.8		2.4	ns
		FO=635		1.8		2.4	ns
t <sub>SUEXT</sub>	Input Latch External Setup	FO=32	0.0		0.0		ns
		FO=635	0.0		0.0		ns
t <sub>HEXT</sub>	Input Latch External Hold	FO=32	3.0		4.0		ns
		FO=635	3.8		5.1		ns
t <sub>P</sub>	Minimum Period (1/f <sub>max</sub> )	FO=32	7.1		9.5		ns
		FO=635	7.9		10.5		ns
f <sub>HMAX</sub>	Maximum Datapath Frequency	FO=32		140		105	MHz
		FO=635		126		95	MHz

**Note:**

1. Routing delays are for typical designs across worst-case operating conditions. These parameters should be used for estimating device performance. Post-route timing analysis or simulation is required to determine actual worst-case performance.

## A32100DX Timing Characteristics (continued)

(Worst-Case Military Conditions)

Output Module Timing		'-1' Speed		'Std' Speed		
Parameter	Description	Min.	Max.	Min.	Max.	Units
<b>TTL Output Module Timing<sup>1</sup></b>						
t <sub>DLH</sub>	Data to Pad High		5.1		6.8	ns
t <sub>DHL</sub>	Data to Pad Low		6.3		8.3	ns
t <sub>ENZH</sub>	Enable Pad Z to High		6.6		8.8	ns
t <sub>ENZL</sub>	Enable Pad Z to Low		7.1		9.4	ns
t <sub>ENHZ</sub>	Enable Pad High to Z		11.5		15.3	ns
t <sub>ENLZ</sub>	Enable Pad Low to Z		11.5		15.3	ns
t <sub>GLH</sub>	G to Pad High		11.5		15.3	ns
t <sub>GHL</sub>	G to Pad Low		12.4		16.6	ns
t <sub>LSU</sub>	I/O Latch Output Setup	0.4		0.5		ns
t <sub>LH</sub>	I/O Latch Output Hold	0.0		0.0		ns
t <sub>LCO</sub>	I/O Latch Clock-Out (Pad-to-Pad) 32 I/O		11.5		15.4	ns
t <sub>ACO</sub>	Array Latch Clock-Out (Pad-to-Pad) 32 I/O		16.3		21.7	ns
d <sub>TLH</sub>	Capacitive Loading, Low to High		0.04		0.06	ns/pF
d <sub>THL</sub>	Capacitive Loading, High to Low		0.06		0.08	ns/pF
t <sub>WDO</sub>	Hard-Wired Wide Decode Output		0.05		0.07	ns
<b>CMOS Output Module Timing<sup>1</sup></b>						
t <sub>DLH</sub>	Data to Pad High		6.3		8.3	ns
t <sub>DHL</sub>	Data to Pad Low		5.1		6.8	ns
t <sub>ENZH</sub>	Enable Pad Z to High		6.6		8.8	ns
t <sub>ENZL</sub>	Enable Pad Z to Low		7.1		9.4	ns
t <sub>ENHZ</sub>	Enable Pad High to Z		11.5		15.3	ns
t <sub>ENLZ</sub>	Enable Pad Low to Z		11.5		15.3	ns
t <sub>GLH</sub>	G to Pad High		11.5		15.3	ns
t <sub>GHL</sub>	G to Pad Low		12.4		16.6	ns
t <sub>LSU</sub>	I/O Latch Setup	0.4		0.5		ns
t <sub>LH</sub>	I/O Latch Hold	0.0		0.0		ns
t <sub>LCO</sub>	I/O Latch Clock-Out (Pad-to-Pad) 32 I/O		13.7		18.2	ns
t <sub>ACO</sub>	Array Latch Clock-Out (Pad-to-Pad) 32 I/O		19.2		25.6	ns
d <sub>TLH</sub>	Capacitive Loading, Low to High		0.06		0.08	ns/pF
d <sub>THL</sub>	Capacitive Loading, High to Low		0.05		0.07	ns/pF
t <sub>WDO</sub>	Hard-Wired Wide Decode Output		0.05		0.07	ns

**Notes:**

1. Routing delays are for typical designs across worst-case operating conditions. These parameters should be used for estimating device performance. Post-route timing analysis or simulation is required to determine actual worst-case performance.
2. SSO information can be found in the "Simultaneously Switching Output Limits for Actel FPGAs" application note.

## A32200DX Timing Characteristics

(Worst-Case Military Conditions)

Logic Module Propagation Delays		'-1 Speed		'Std' Speed		
Parameter	Description	Min.	Max.	Min.	Max.	Units
<b>Combinatorial Functions</b>						
t <sub>PD</sub>	Internal Array Module Delay		2.8		3.8	ns
t <sub>PDD</sub>	Internal Decode Module Delay		3.4		4.6	ns
<b>Predicted Module Routing Delays</b>						
t <sub>RD1</sub>	FO=1 Routing Delay		1.6		2.1	ns
t <sub>RD2</sub>	FO=2 Routing Delay		2.3		3.1	ns
t <sub>RD3</sub>	FO=3 Routing Delay		2.9		3.9	ns
t <sub>RD4</sub>	FO=4 Routing Delay		3.5		4.7	ns
t <sub>RD5</sub>	FO=8 Routing Delay		6.2		8.2	ns
t <sub>RDD</sub>	Decode-to-Output Routing Delay		0.8		1.1	ns
<b>Sequential Timing Characteristics</b>						
t <sub>CO</sub>	Flip-Flop Clock-to-Output		3.2		4.2	ns
t <sub>GO</sub>	Latch Gate-to-Output		2.8		3.8	ns
t <sub>SU</sub>	Flip-Flop (Latch) Setup Time	0.5		0.6		ns
t <sub>H</sub>	Flip-Flop (Latch) Hold Time	0.0		0.0		ns
t <sub>RO</sub>	Flip-Flop (Latch) Reset to Output		3.2		4.2	ns
t <sub>SUENA</sub>	Flip-Flop (Latch) Enable Setup	0.9		1.2		ns
t <sub>HENA</sub>	Flip-Flop (Latch) Enable Hold	0.0		0.0		ns
t <sub>WCLKA</sub>	Flip-Flop (Latch) Clock Active Pulse Width	4.3		5.8		ns
t <sub>WASYN</sub>	Flip-Flop (Latch) Asynchronous Pulse Width	5.7		7.6		ns

## A32200DX Timing Characteristics (continued)

(Worst-Case Military Conditions)

Logic Module Timing		'-1 Speed		'Std' Speed		
Parameter	Description	Min.	Max.	Min.	Max.	Units
<b>Synchronous SRAM Operations</b>						
t <sub>RC</sub>	Read Cycle Time	8.8		11.8		ns
t <sub>WC</sub>	Write Cycle Time	8.8		11.8		ns
t <sub>RCKHL</sub>	Clock High/Low Time	4.4		5.9		ns
t <sub>RCO</sub>	Data Valid After Clock High/Low		4.4		5.9	ns
t <sub>ADSU</sub>	Address/Data Setup Time	2.1		2.8		ns
t <sub>ADH</sub>	Address/Data Hold Time	0.0		0.0		ns
t <sub>RENSU</sub>	Read Enable Setup	0.8		1.1		ns
t <sub>RENH</sub>	Read Enable Hold	4.4		5.9		ns
t <sub>WENSU</sub>	Write Enable Setup	3.5		4.7		ns
t <sub>WENH</sub>	Write Enable Hold	0.0		0.0		ns
t <sub>BENS</sub>	Block Enable Setup	3.6		4.8		ns
t <sub>BENH</sub>	Block Enable Hold	0.0		0.0		ns
<b>Asynchronous SRAM Operations</b>						
t <sub>RPD</sub>	Asynchronous Access Time		10.6		14.1	ns
t <sub>RDADV</sub>	Read Address Valid	11.5		15.3		ns
t <sub>ADSU</sub>	Address/Data Setup Time	2.1		2.8		ns
t <sub>ADH</sub>	Address/Data Hold Time	0.0		0.0		ns
t <sub>RENSUA</sub>	Read Enable Setup to Address Valid	0.8		1.1		ns
t <sub>RENHA</sub>	Read Enable Hold	4.4		5.9		ns
t <sub>WENSU</sub>	Write Enable Setup	3.5		4.7		ns
t <sub>WENH</sub>	Write Enable Hold	0.0		0.0		ns
t <sub>DOH</sub>	Data Out Hold Time		1.6		2.1	ns

## A32200DX Timing Characteristics (continued)

(Worst-Case Military Conditions)

Input Module Propagation Delays			'-1' Speed		'Std' Speed		
Parameter	Description		Min.	Max.	Min.	Max.	Units
t <sub>INPY</sub>	Input Data Pad to Y			1.9		2.6	ns
t <sub>INGO</sub>	Input Latch Gate-to-Output <sup>1</sup>			4.6		6.0	ns
t <sub>INH</sub>	Input Latch Hold <sup>1</sup>		0.0		0.0		ns
t <sub>INSU</sub>	Input Latch Setup <sup>1</sup>		0.7		0.9		ns
t <sub>ILA</sub>	Latch Active Pulse Width <sup>1</sup>		6.1		8.1		ns
Input Module Predicted Routing Delays							
t <sub>IRD1</sub>	FO=1 Routing Delay			2.6		3.5	ns
t <sub>IRD2</sub>	FO=2 Routing Delay			3.4		4.6	ns
t <sub>IRD3</sub>	FO=3 Routing Delay			4.6		6.1	ns
t <sub>IRD4</sub>	FO=4 Routing Delay			5.4		7.2	ns
t <sub>IRD5</sub>	FO=8 Routing Delay			7.0		9.3	ns
Global Clock Network							
t <sub>CKH</sub>	Input Low to High	FO=32		7.3		9.8	ns
		FO=635		8.5		11.3	ns
t <sub>CKL</sub>	Input High to Low	FO=32		7.2		9.6	ns
		FO=635		9.3		12.5	ns
t <sub>PWH</sub>	Minimum Pulse Width High	FO=32	3.2		4.3		ns
		FO=635	3.9		5.2		ns
t <sub>PWL</sub>	Minimum Pulse Width Low	FO=32	3.2		4.3		ns
		FO=635	3.9		5.2		ns
t <sub>CKSW</sub>	Maximum Skew	FO=32		1.8		2.4	ns
		FO=635		1.8		2.4	ns
t <sub>SUEXT</sub>	Input Latch External Setup	FO=32	0.0		0.0		ns
		FO=635	0.0		0.0		ns
t <sub>HEXT</sub>	Input Latch External Hold	FO=32	3.0		4.0		ns
		FO=635	3.8		5.1		ns
t <sub>P</sub>	Minimum Period (1/f <sub>max</sub> )	FO=32	5.8		7.7		ns
		FO=635	6.8		9.1		ns
f <sub>HMAX</sub>	Maximum Datapath Frequency	FO=32		172		130	MHz
		FO=635		147		110	MHz

**Note:**

1. Routing delays are for typical designs across worst-case operating conditions. These parameters should be used for estimating device performance. Post-route timing analysis or simulation is required to determine actual worst-case performance.



## A32200DX Timing Characteristics (continued)

(Worst-Case Military Conditions)

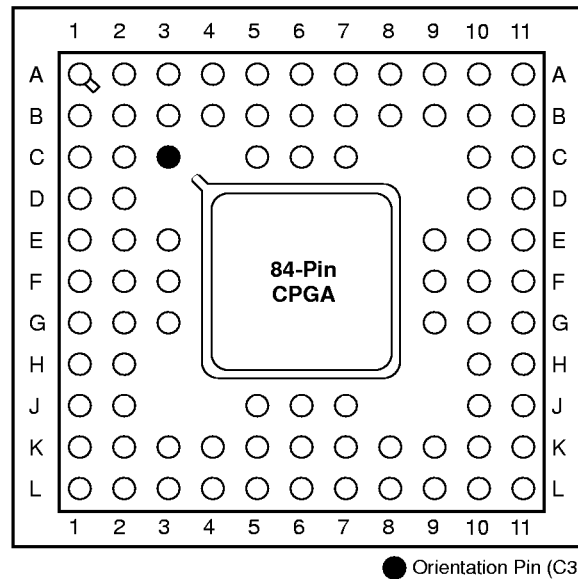
Output Module Timing		'-1' Speed		'Std' Speed		
Parameter	Description	Min.	Max.	Min.	Max.	Units
<b>TTL Output Module Timing<sup>1</sup></b>						
t <sub>DLH</sub>	Data to Pad High		5.1		6.8	ns
t <sub>DHL</sub>	Data to Pad Low		6.3		8.3	ns
t <sub>ENZH</sub>	Enable Pad Z to High		6.6		8.8	ns
t <sub>ENZL</sub>	Enable Pad Z to Low		7.1		9.5	ns
t <sub>ENHZ</sub>	Enable Pad High to Z		11.5		15.3	ns
t <sub>ENLZ</sub>	Enable Pad Low to Z		11.5		15.3	ns
t <sub>GLH</sub>	G to Pad High		11.5		15.3	ns
t <sub>GHL</sub>	G to Pad Low		12.3		16.5	ns
t <sub>LSU</sub>	I/O Latch Output Setup	0.4		0.5		ns
t <sub>LH</sub>	I/O Latch Output Hold	0.0		0.0		ns
t <sub>LCO</sub>	I/O Latch Clock-Out (Pad-to-Pad) 32 I/O		11.5		15.4	ns
t <sub>ACO</sub>	Array Latch Clock-Out (Pad-to-Pad) 32 I/O		16.3		21.7	ns
d <sub>TLH</sub>	Capacitive Loading, Low to High		0.04		0.06	ns/pF
d <sub>THL</sub>	Capacitive Loading, High to Low		0.06		0.08	ns/pF
t <sub>WDO</sub>	Hard-Wired Wide Decode Output		0.05		0.07	ns
<b>CMOS Output Module Timing<sup>1</sup></b>						
t <sub>DLH</sub>	Data to Pad High		5.1		6.8	ns
t <sub>DHL</sub>	Data to Pad Low		6.3		8.3	ns
t <sub>ENZH</sub>	Enable Pad Z to High		6.6		8.8	ns
t <sub>ENZL</sub>	Enable Pad Z to Low		7.1		9.5	ns
t <sub>ENHZ</sub>	Enable Pad High to Z		11.5		15.3	ns
t <sub>ENLZ</sub>	Enable Pad Low to Z		11.5		15.3	ns
t <sub>GLH</sub>	G to Pad High		11.5		15.3	ns
t <sub>GHL</sub>	G to Pad Low		12.3		16.5	ns
t <sub>LSU</sub>	I/O Latch Setup	0.4		0.5		ns
t <sub>LH</sub>	I/O Latch Hold	0.0		0.0		ns
t <sub>LCO</sub>	I/O Latch Clock-Out (Pad-to-Pad) 32 I/O		13.7		18.2	ns
t <sub>ACO</sub>	Array Latch Clock-Out (Pad-to-Pad) 32 I/O		19.2		25.6	ns
d <sub>TLH</sub>	Capacitive Loading, Low to High		0.06		0.08	ns/pF
d <sub>THL</sub>	Capacitive Loading, High to Low		0.05		0.07	ns/pF
t <sub>WDO</sub>	Hard-Wired Wide Decode Output		0.05		0.07	ns

**Notes:**

1. Routing delays are for typical designs across worst-case operating conditions. These parameters should be used for estimating device performance. Post-route timing analysis or simulation is required to determine actual worst-case performance.
2. SSO information can be found in the "Simultaneously Switching Output Limits for Actel FPGAs" application note.

## Package Pin Assignments

### 84-Pin CPGA (Top View)



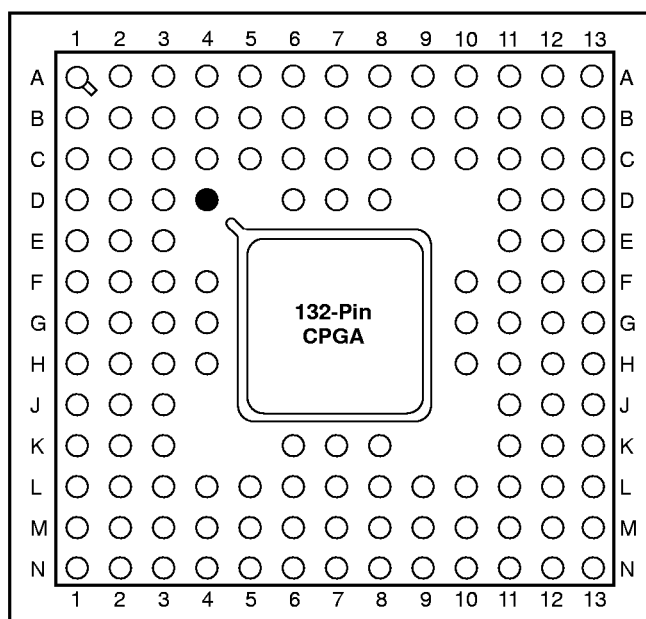
Function	A1010B Pin Number	A1020B Pin Number
CLK or I/O	F9	F9
DCLK or I/O	C10	C10
GND	B7, E2, E3, F10, G10, K5	B7, E2, E3, F10, G10, K5
MODE	E11	E11
N/C (No Connection)	B1, B2, C1, C2, C11, D10, D11, J2, J10, K1, K10, K11, L1	B2
PRA or I/O	A11	A11
PRB or I/O	B10	B10
SDI or I/O	B11	B11
V <sub>CC</sub>	B5, E9, E10, F1, G2, K2, K7	B5, E9, E10, F1, G2, K2, K7

#### Notes:

1. MODE should be terminated to GND through a 10K resistor to enable Actionprobe usage, otherwise it can be terminated directly to GND.
2. Unused I/O pins are designated as outputs by ALS and are driven low.
3. All unassigned pins are available for use as I/Os

## Package Pin Assignments (continued)

## 132-Pin CPGA (Top View)



● Orientation Pin

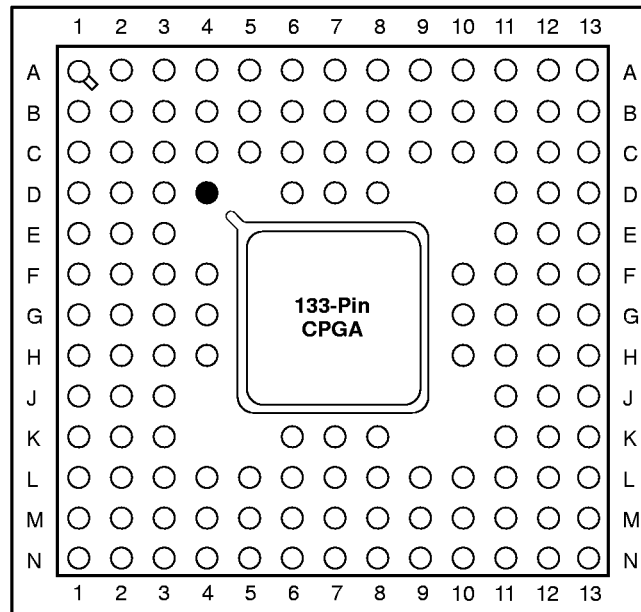
Function	A1240A Pin Number
CLKA or I/O	B7
CLKB or I/O	B6
DCLK or I/O	C3
GND	B5, B9, C5, C9, E3, E11, E12, F4, H13, J2, J3, J11, K12, L5, L9, M9
MODE	A1
PRA or I/O	B8
PRB or I/O	C6
SDI or I/O	B12
V <sub>CC</sub>	C7, D7, G2, G3, G4, G10, G11, G12, G13, K7, L7

**Notes:**

1. Unused I/O pins are designated as outputs by ALS and are driven low.
2. All unassigned pins are available for use as I/Os.
3. MODE should be terminated to GND through a 10K resistor to enable Actionprobe usage, otherwise it can be terminated directly to GND.

Package Pin Assignments (continued)

133-Pin CPGA (Top View)



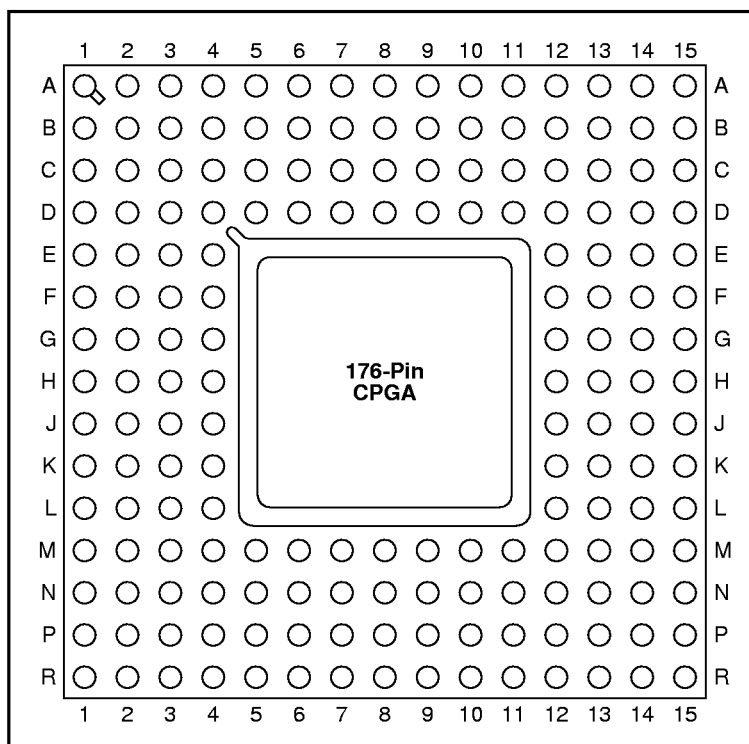
Function	A1425A Pin Number
CLKA or I/O	D7
CLKB or I/O	B6
DCLK or I/O	D4
GND	A2, C3, C7, C11, C12, F10, G3, G11, L3, L7, L11, M3, N12
HCLKA or I/O	K7
IOCLK or I/O	C10
IOPCL or I/O	L10
MODE	E3
NC	A1, A7, A13, G1, G13, N1, N7, N13
PRA or I/O	A6
PRB or I/O	L6
SDI or I/O	C2
V <sub>CC</sub>	B2, B7, B12, E11, G2, G12, J2, J12, M2, M7, M12

**Notes:**

1. Unused I/O pins are designated as outputs by ALS and are driven low.
2. All unassigned pins are available for use as I/Os.
3. MODE should be terminated to GND through a 10K resistor to enable Actionprobe usage, otherwise it can be terminated directly to GND.

## Package Pin Assignments (continued)

## 176-Pin CPGA (Top View)



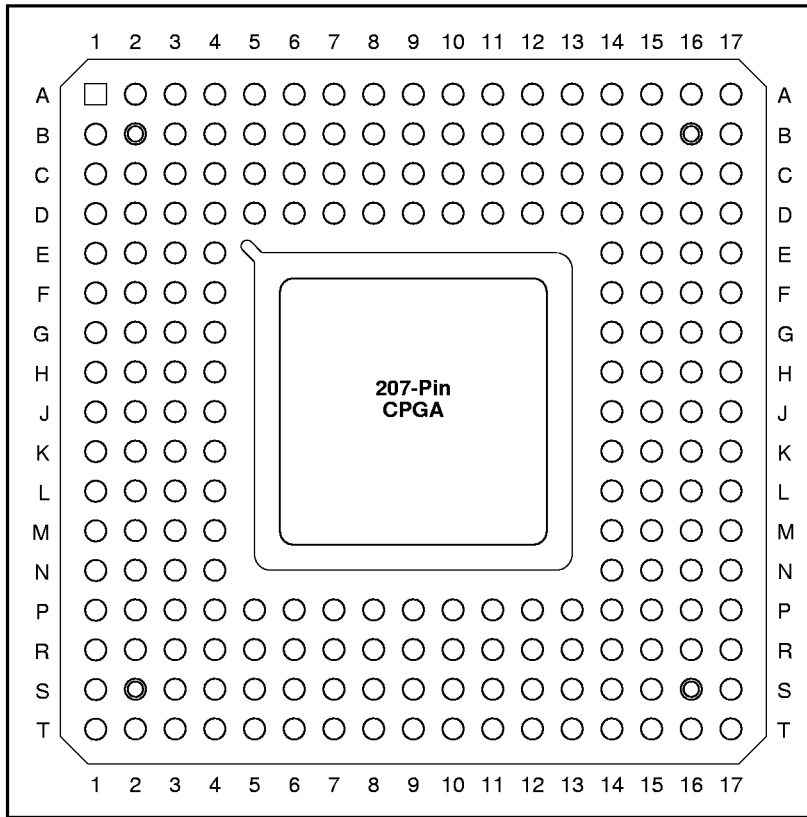
Function	A1280A, A1280XL Pin Number
CLKA or I/O	A9
CLKB or I/O	B8
DCLK or I/O	B3
GND	C8, D4, D6, D10, D12, E4, E12, F12, G4, H4, H12, J12, J13, K4, K12, L4, M4, M6, M8, M10, M12
MODE	C3
PRA or I/O	C9
PRB or I/O	D7
SDI or I/O	B14
V <sub>CC</sub>	D5, D8, D11, F4, G12, H2, H3, H13, H14, J4, J14, M5, M11, N8

**Notes:**

1. Unused I/O pins are designated as outputs by ALS and are driven low.
2. All unassigned pins are available for use as I/Os.
3. MODE should be terminated to GND through a 10K resistor to enable Actionprobe usage, otherwise it can be terminated directly to GND.

Package Pin Assignments (continued)

207-Pin CPGA (Top View)



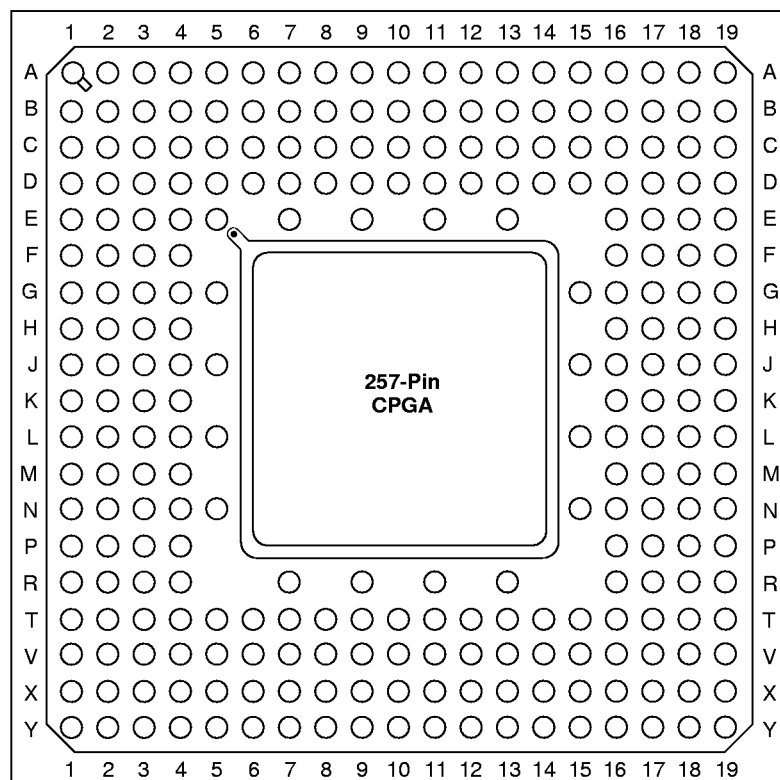
Function	A1460A Pin Number
CLKA or I/O	K1
CLKB or I/O	J3
DCLK or I/O	E4
GND	C15, D4, D5, D9, D14, J4, J14, P3, P4, P7, P9, P14, R15
HCKL or I/O	J15
IOCLK or I/O	P5
IOPCL or I/O	N14
MODE	D7
NC	A1, A2, A16, A17, B1, B17, C1, C2, S1, S3, S17, T1, T2, T16, T17
PRA OR I/O	H1
PRB or I/O	K16
SDI or I/O	C3
V <sub>CC</sub>	B2, B9, B16, D11, J2, J16, P12, S2, S9, S16, T5

**Notes:**

1. Unused I/O pins are designated as outputs by ALS and are driven low.
2. All unassigned pins are available for use as I/Os.
3. MODE should be terminated to GND through a 10K resistor to enable Actionprobe usage, otherwise it can be terminated directly to GND.

## Package Pin Assignments (continued)

## 257-Pin CPGA (Top View)



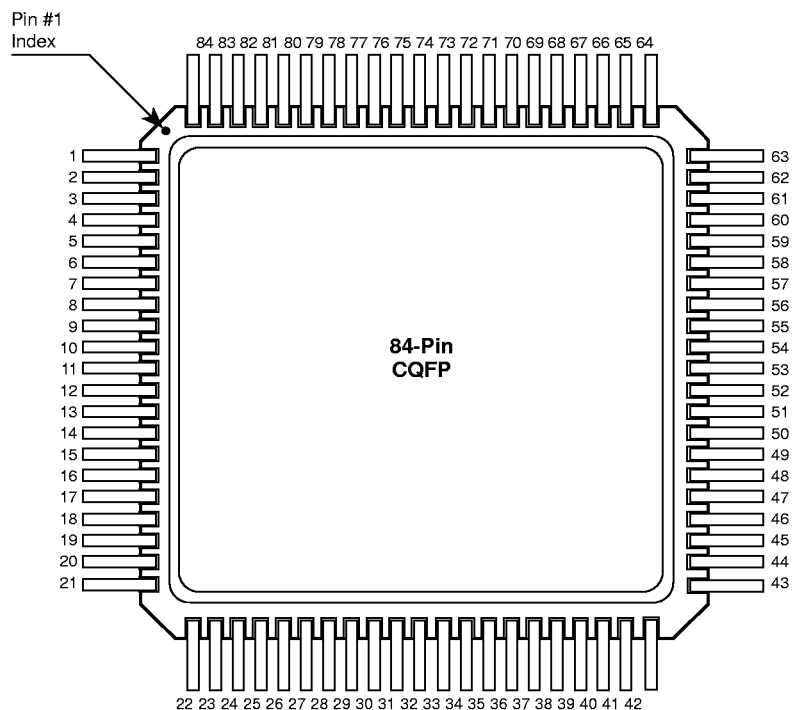
Function	A14100A Pin Number
CLKA or I/O	L4
CLKB or I/O	L5
DCLK or I/O	E4
GND	B16, C4, D4, D10, D16, E11, J5, K4, K16, L15, R4, T4, T10, T16, T17, X7
HCLK or I/O	J16
IOCLK or I/O	T5
IOPCL or I/O	R16
MODE	A5
NC	E5
PRA OR I/O	J1
PRB or I/O	J17
SDI or I/O	B4
V <sub>CC</sub>	C3, C10, C13, C17, K3, K17, V3, V7, V10, V17, X14

**Notes:**

1. Unused I/O pins are designated as outputs by ALS and are driven low.
2. All unassigned pins are available for use as I/Os.
3. MODE should be terminated to GND through a 10K resistor to enable Actionprobe usage, otherwise it can be terminated directly to GND.

Package Pin Assignments (continued)

84-Pin CQFP (Top View)



Function	A1020B Pin Number
CLKA or I/O	53
DCLK or I/O	62
GND	7, 8, 29, 49, 50, 71
MODE	55
N/C (No Connection)	1
PRA or I/O	63
PRB or I/O	64
SDI or I/O	61
V <sub>CC</sub>	14, 15, 22, 35, 56, 57, 77

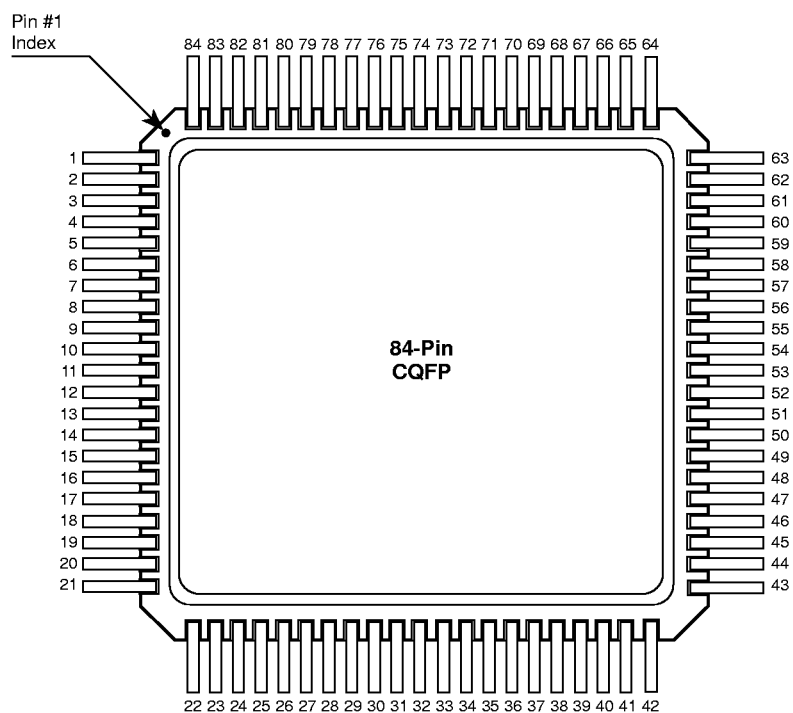
**Notes:**

1. MODE should be terminated to GND through a 10K resistor to enable Actionprobe usage, otherwise it can be terminated directly to GND.
2. Unused I/O pins are designated as outputs by ALS and are driven low.
3. All unassigned pins are available for use as I/Os



## Package Pin Assignments (continued)

## 84-Pin CQFP (Top View)

**Notes:**

1. Unused I/O pins are designated as outputs by ALS and are driven low.
2. All unassigned pins are available for use as I/Os.
3. MODE should be terminated to GND through a 10K resistor to enable Actionprobe usage, otherwise it can be terminated directly to GND.

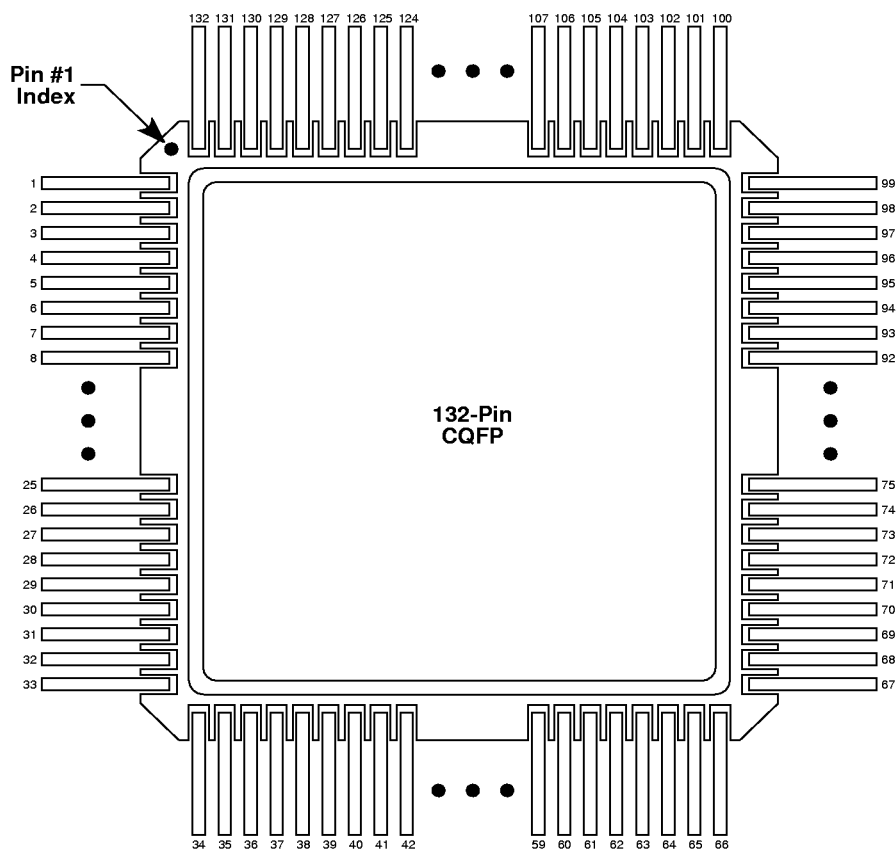
84-Pin CQFP (continued)

Pin Number	A32100DX Function
1	GND
2	MODE
7	V <sub>CC</sub>
10	GND
11	V <sub>CC</sub>
12	V <sub>CC</sub>
17	GND
22	GND
25	I/O (WD)
26	I/O (WD)
28	QCLKA, I/O
29	GND
30	I/O (WD)
32	GND
33	V <sub>CC</sub>
34	I/O (WD)
35	I/O (WD)
36	QCLKB, I/O
37	I/O (WD)
38	GND
39	I/O (WD)
40	I/O (WD)
41	I/O (WD)
42	SDO, I/O
43	GND
50	GND
51	TCK, I/O
52	GND

Pin Number	A32100DX Function
53	V <sub>CC</sub>
54	V <sub>CC</sub>
55	V <sub>CC</sub>
56	V <sub>CC</sub>
59	GND
63	GND
64	SDI, I/O
65	I/O (WD)
66	I/O (WD)
67	I/O (WD)
68	I/O (WD)
69	QCLKD, I/O
70	I/O (WD)
71	I/O (WD)
72	PRA, I/O
73	CLKA, I/O
74	V <sub>CC</sub>
75	GND
76	CLKB, I/O
77	PRB, I/O
78	I/O (WD)
79	I/O (WD)
80	QCLKC, I/O
81	GND
82	I/O (WD)
83	I/O (WD)
84	DCLK, I/O

## Package Pin Assignments (continued)

## 132-Pin CQFP (Top View)



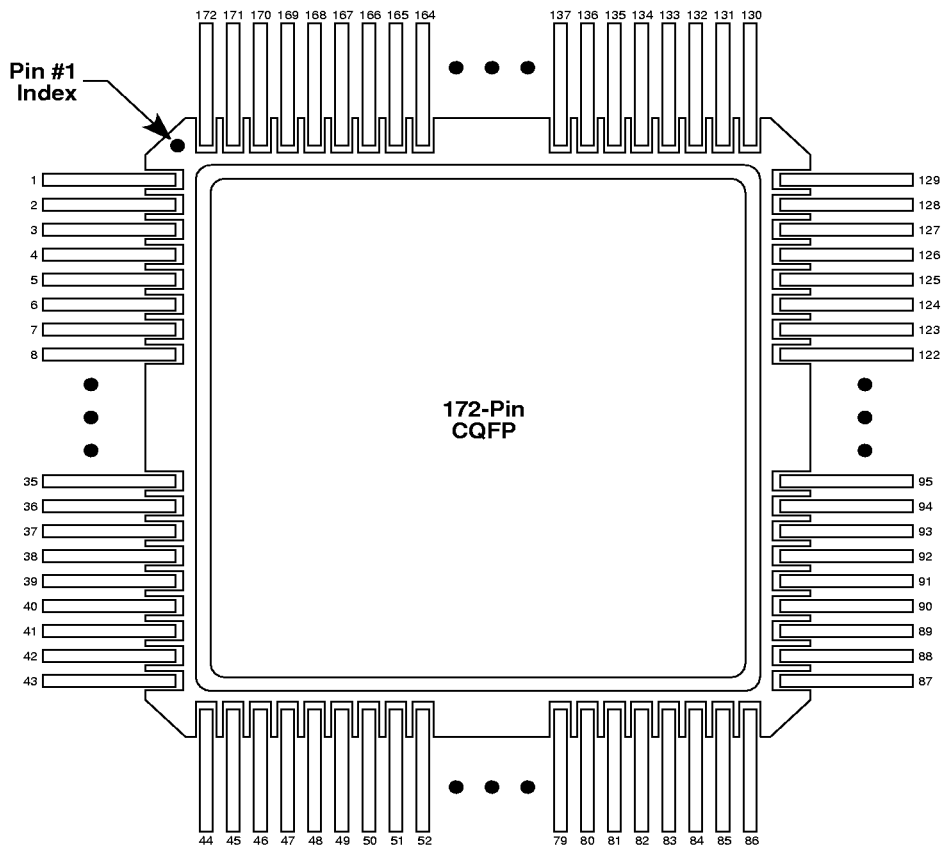
Function	A1425A Pin Number
CLKA or I/O	116
CLKB or I/O	117
DCLK or I/O	131
GND	2, 10, 26, 36, 42, 58, 65, 74, 90, 92, 101, 106, 122
HCLK or I/O	50
IOCLK or I/O	98
IOPCL or I/O	64
MODE	9
NC	1, 34, 66, 67, 99, 100, 132
PRA or I/O	118
PRB or I/O	48
SDI or I/O	3
V <sub>CC</sub>	11, 22, 27, 43, 59, 75, 78, 89, 91, 107, 123

**Notes:**

1. Unused I/O pins are designated as outputs by ALS and are driven low.
2. All unassigned pins are available for use as I/Os.
3. MODE should be terminated to GND through a 10K resistor to enable Actionprobe usage, otherwise it can be terminated directly to GND.

Package Pin Assignments (continued)

172-Pin CQFP (Top View)



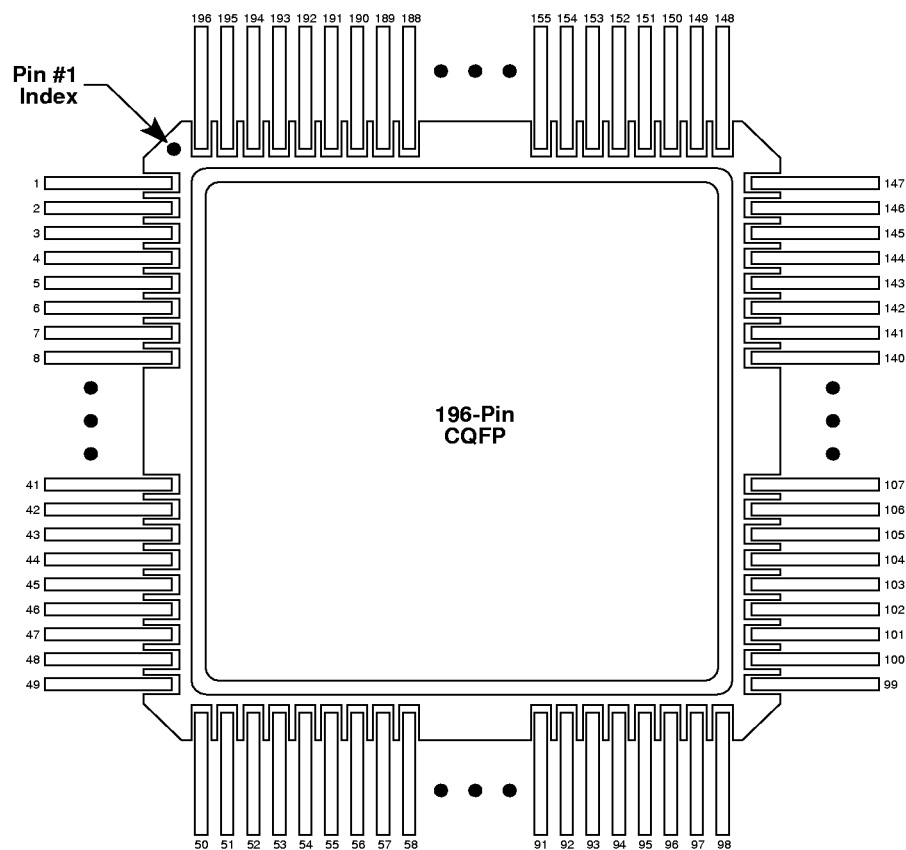
Function	A1280A, A1280XL Pin Number
CLKA or I/O	150
CLKB or I/O	154
DCLK or I/O	171
GND	7, 17, 22, 32, 37, 55, 65, 75, 98, 103, 106, 108, 118, 123, 141, 152, 161
MODE	1
PRA or I/O	148
PRB or I/O	156
SDI or I/O	131
V <sub>CC</sub>	12, 23, 24, 27, 66, 80, 107, 109, 110, 113, 136, 151, 166

**Notes:**

1. Unused I/O pins are designated as outputs by ALS and are driven low.
2. All unassigned pins are available for use as I/Os.
3. MODE should be terminated to GND through a 10K resistor to enable Actionprobe usage, otherwise it can be terminated directly to GND.

## Package Pin Assignments (continued)

## 196-Pin CQFP (Top View)



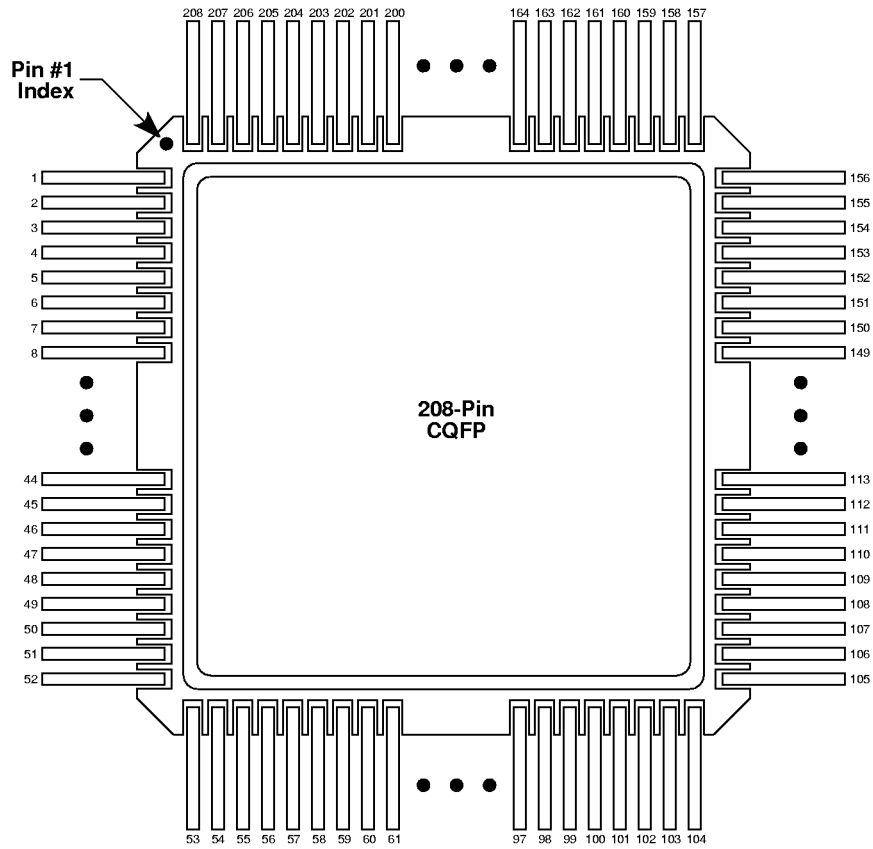
Function	A1460A Pin Number
CLKA or I/O	172
CLKB or I/O	173
DCLK or I/O	196
GND	1, 13, 37, 51, 52, 64, 86, 98, 101, 112, 138, 139, 149, 162, 183, 193
HCLK or I/O	77
IOCLK or I/O	148
IOPCL or I/O	100
MODE	11
PRA or I/O	174
PRB or I/O	75
SDI or I/O	2
V <sub>CC</sub>	12, 38, 39, 59, 94, 110, 111, 137, 140, 155, 189

**Notes:**

1. Unused I/O pins are designated as outputs by ALS and are driven low.
2. All unassigned pins are available for use as I/Os.
3. MODE should be terminated to GND through a 10K resistor to enable Actionprobe usage, otherwise it can be terminated directly to GND.

Package Pin Assignments (continued)

208-Pin CQFP (Top View)



**Notes:**

1. Unused I/O pins are designated as outputs by ALS and are driven low.
2. All unassigned pins are available for use as I/Os.
3. MODE should be terminated to GND through a 10K resistor to enable Actionprobe usage, otherwise it can be terminated directly to GND.

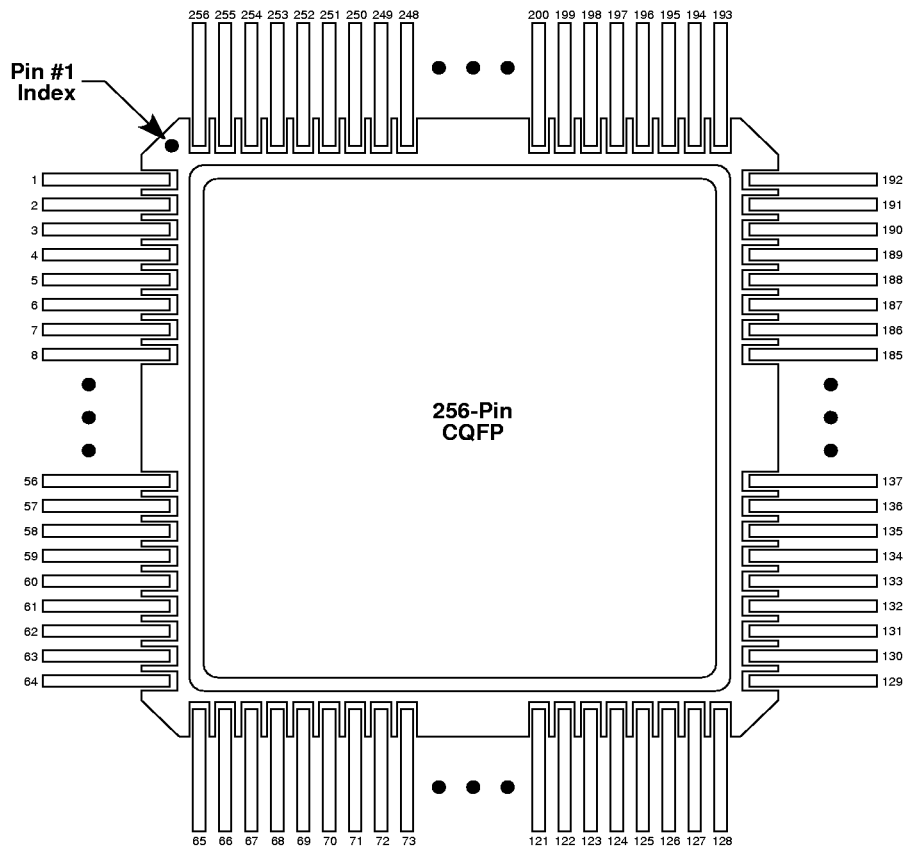
## 208-Pin CQFP (continued)

Pin Number	A32100DX Function
1	GND
2	V <sub>CC</sub>
3	MODE
17	V <sub>CC</sub>
22	GND
27	GND
28	V <sub>CC</sub>
29	V <sub>CC</sub>
32	V <sub>CC</sub>
52	GND
53	GND
54	TMS, I/O
55	TDI, I/O
57	I/O (WD)
58	I/O (WD)
60	V <sub>CC</sub>
65	QCLKA, I/O
66	I/O (WD)
67	I/O (WD)
70	I/O (WD)
71	I/O (WD)
78	GND
79	V <sub>CC</sub>
80	V <sub>CC</sub>
85	I/O (WD)
86	I/O (WD)
91	QCLKB, I/O
93	I/O (WD)
94	I/O (WD)
98	V <sub>CC</sub>
100	I/O (WD)
101	I/O (WD)
103	SDO, I/O
105	GND
106	V <sub>CC</sub>

Pin Number	A32100DX Function
126	GND
128	TCK, I/O
129	GND
130	V <sub>CC</sub>
131	GND
132	V <sub>CC</sub>
133	V <sub>CC</sub>
136	V <sub>CC</sub>
150	GND
157	GND
159	SDI, I/O
161	I/O (WD)
162	I/O (WD)
164	V <sub>CC</sub>
168	I/O (WD)
169	I/O (WD)
171	QCLKD, I/O
176	I/O (WD)
177	I/O (WD)
178	PRA, I/O
180	CLKA, I/O
182	V <sub>CC</sub>
183	V <sub>CC</sub>
184	GND
186	CLKB, I/O
188	PRB, I/O
190	I/O (WD)
191	I/O (WD)
194	I/O (WD)
195	I/O (WD)
196	QCLKC, I/O
202	V <sub>CC</sub>
203	I/O (WD)
204	I/O (WD)
207	DCLK, I/O

Package Pin Assignments (continued)

256-Pin CQFP (Top View)



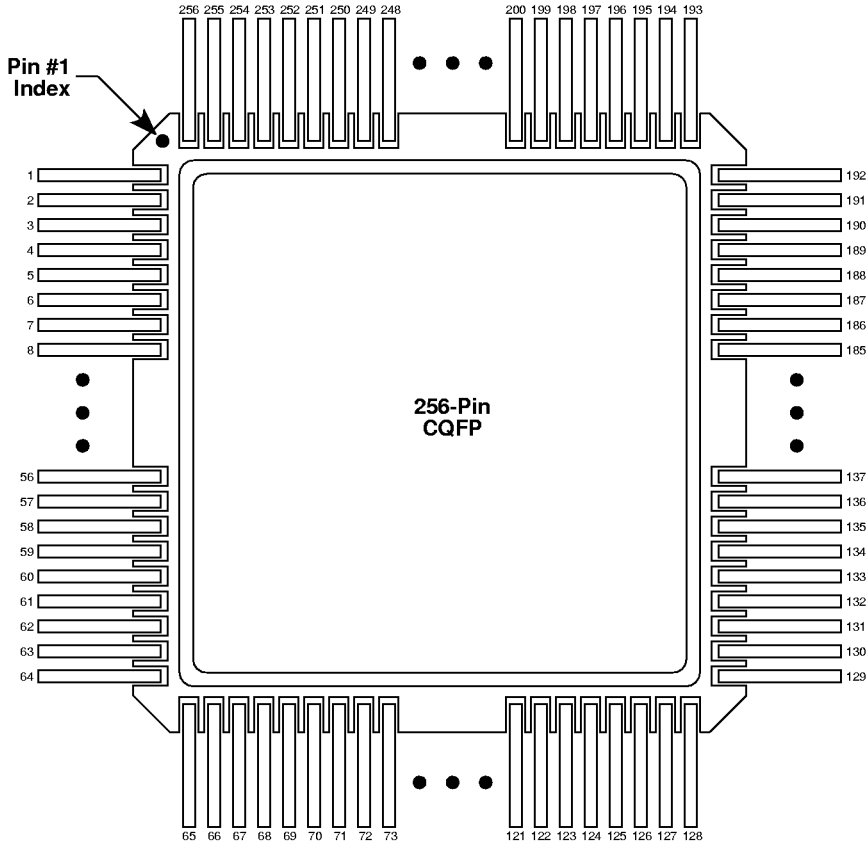
Function	A14100A Pin Number
CLKA or I/O	219
CLKB or I/O	220
DCLK or I/O	256
GND	1, 29, 31, 59, 91, 93, 110, 128, 158, 160, 175, 176, 189, 222, 224, 240
HCLK or I/O	96
IOCLK or I/O	188
IOPCL or I/O	127
MODE	11
PRA or I/O	225
PRB or I/O	90
SDI or I/O	2
V <sub>CC</sub>	28, 30, 46, 92, 94, 141, 159, 161, 174, 221, 223

**Notes:**

1. Unused I/O pins are designated as outputs by ALS and are driven low.
2. All unassigned pins are available for use as I/Os.
3. MODE should be terminated to GND through a 10K resistor to enable Actionprobe usage, otherwise it can be terminated directly to GND.



Package Pin Assignments (continued)  
256-Pin CQFP (Top View)



**Notes:**

- 1. NC: Denotes No Connection
- 2. MODE should be terminated to GND through a 10K resistor to enable Actionprobe usage, otherwise it can be terminated directly to GND.

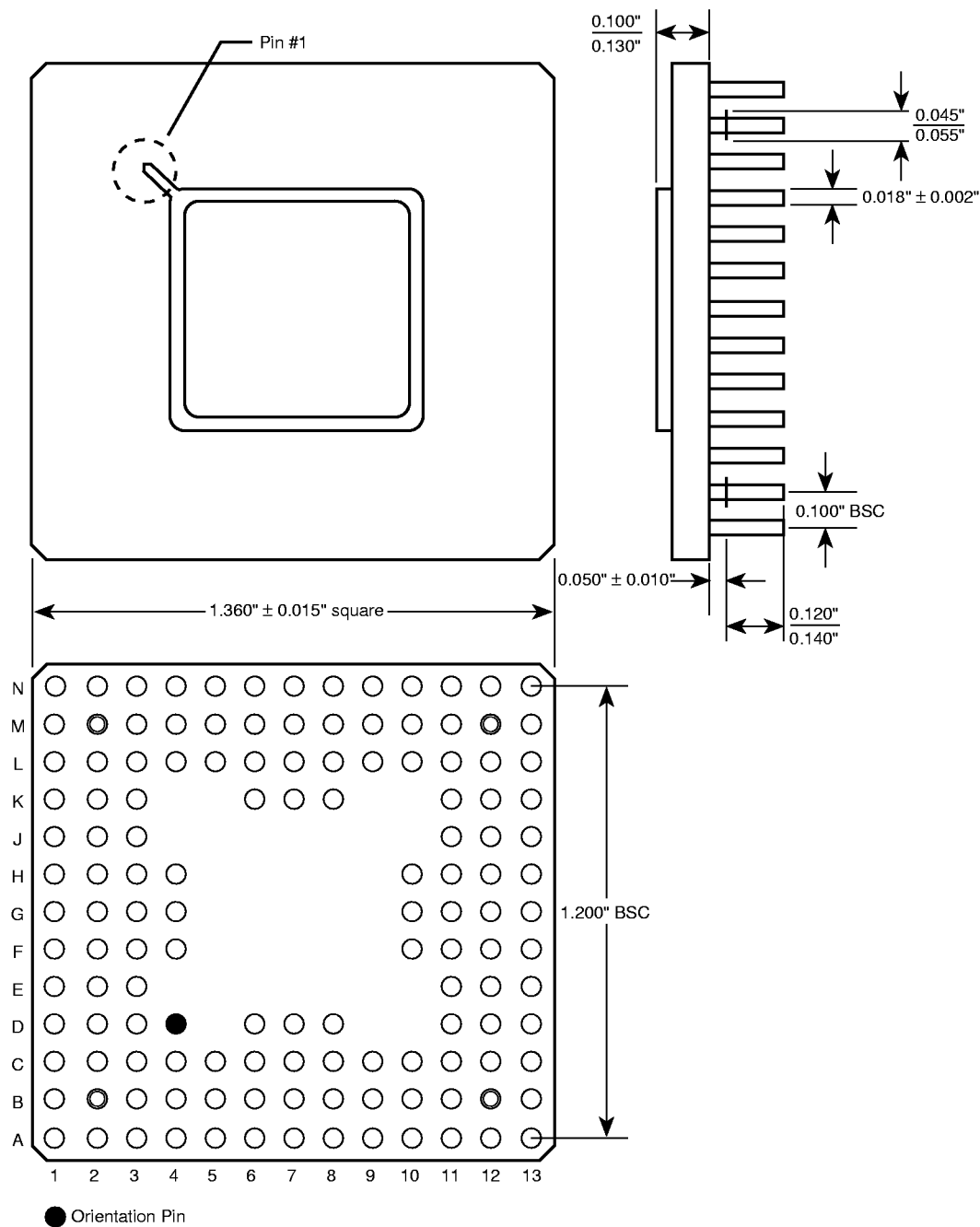
256-Pin CQFP (continued)

Pin Number	A32200DX Function
1	NC
2	GND
3	I/O
10	GND
11	I/O
12	I/O
26	VCC
29	VCC
30	VCC
31	GND
32	VCC
33	GND
34	TCK, I/O
36	GND
45	I/O
46	I/O
47	I/O
48	GND
60	VCC
61	GND
62	GND
63	NC
64	NC
65	NC
67	SDO, I/O
69	I/O (WD)
70	I/O (WD)
72	VCC
76	I/O (WD)
77	GND
78	I/O (WD)
80	QCLKB, I/O
86	I/O
87	I/O (WD)
88	I/O (WD)
89	I/O
92	I/O
93	I/O
94	I/O

Pin Number	A32200DX Function
95	VCC
96	VCC
97	GND
98	GND
105	I/O (WD)
106	I/O (WD)
109	I/O (WD)
110	I/O (WD)
111	I/O
112	QCLKA, I/O
114	GND
119	VCC
121	I/O (WD)
122	I/O (WD)
124	I/O
125	TDI, I/O
126	TMS, I/O
127	GND
128	NC
129	NC
130	NC
131	GND
138	I/O
139	GND
140	I/O
152	I/O
155	VCC
158	VCC
159	VCC
160	GND
165	GND
170	VCC
171	I/O
173	I/O
180	GND
185	I/O
188	MODE
189	VCC
190	GND

Pin Number	A32200DX Function
191	NC
192	NC
193	NC
195	DCLK, I/O
198	I/O
199	I/O (WD)
200	I/O (WD)
201	VCC
206	GND
207	I/O
209	QCLKC, I/O
211	I/O (WD)
212	I/O (WD)
215	I/O (WD)
216	I/O (WD)
218	PRB, I/O
220	CLKB, I/O
222	GND
223	GND
224	VCC
225	VCC
227	CLKA, I/O
228	I/O
229	PRA, I/O
230	I/O
231	I/O
232	I/O (WD)
233	I/O (WD)
238	I/O
240	QCLKD, I/O
242	I/O (WD)
243	GND
244	I/O (WD)
248	VCC
250	I/O (WD)
251	I/O (WD)
253	SDI, I/O
255	GND
256	NC

Package Mechanical Drawings  
 133-Pin Ceramic Pin Grid Array (CPGA)

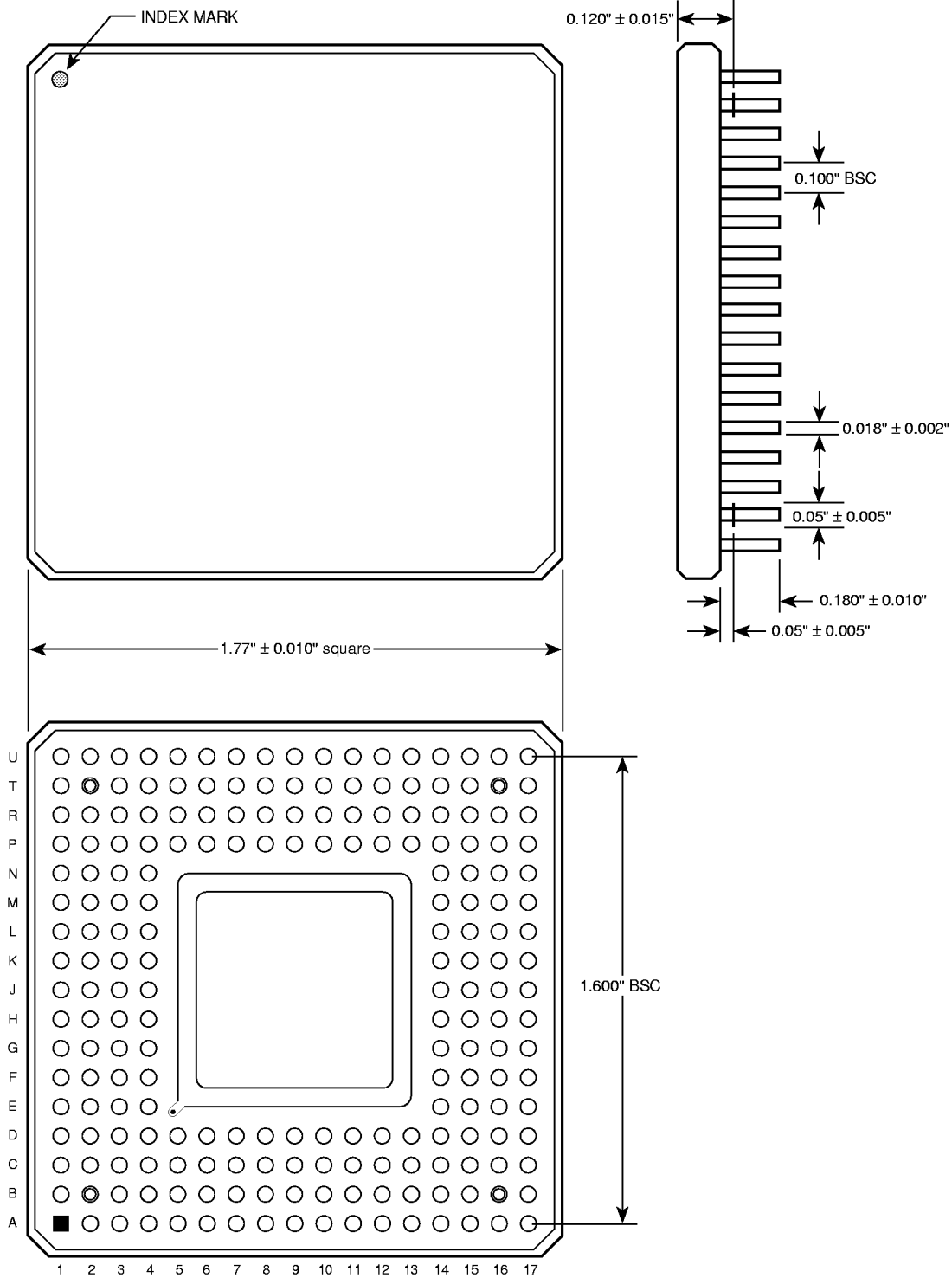


**Notes:**

1. All dimensions are in inches unless otherwise stated.
2. BSC—Basic Spacing between Centers.

Package Mechanical Drawings (continued)

207-Pin CPGA

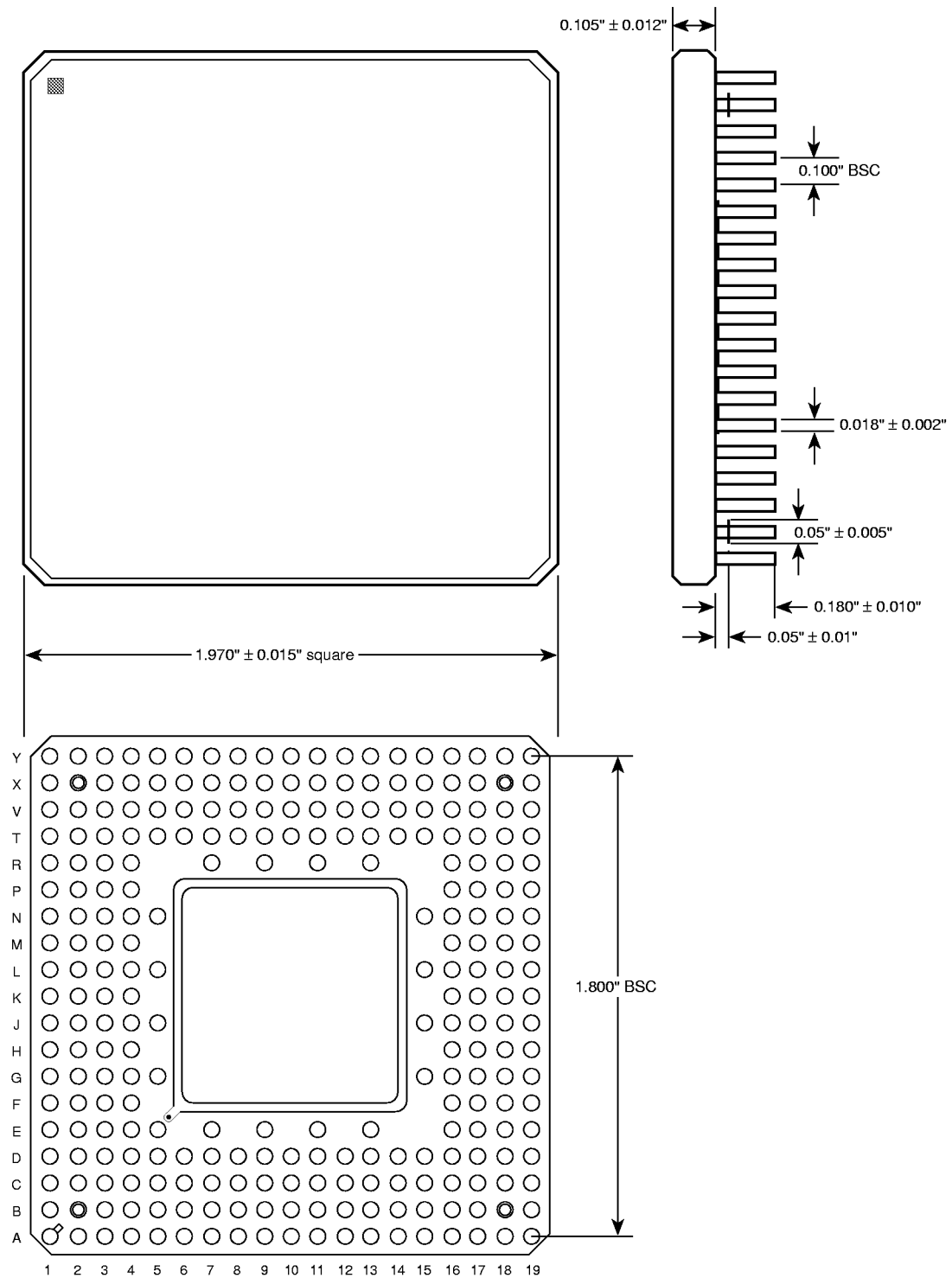


**Notes:**

1. All dimensions are in inches unless otherwise stated.
2. BSC—Basic Spacing between Centers.

Package Mechanical Drawings (continued)

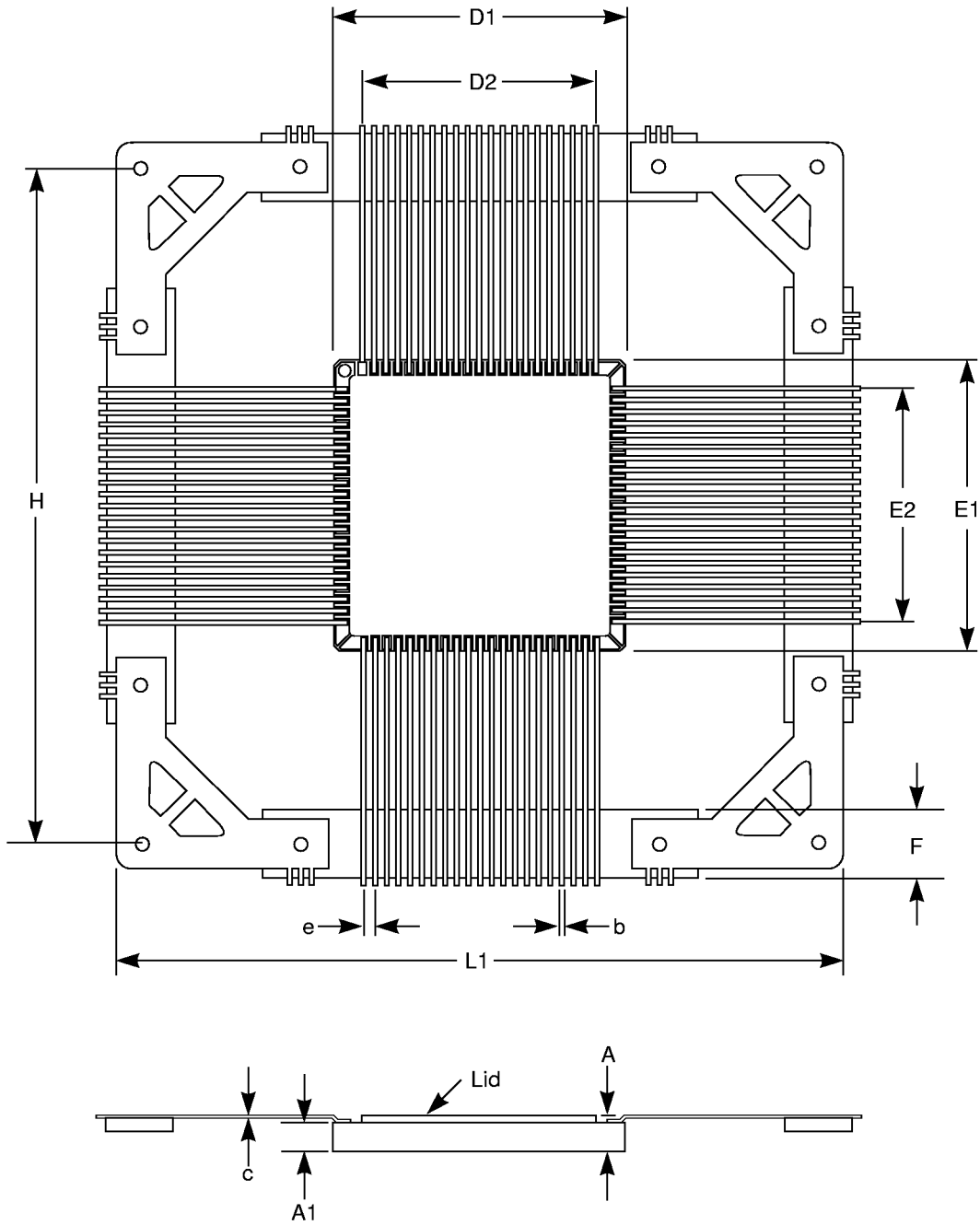
257-Pin CPGA



**Notes:**

1. All dimensions are in inches unless otherwise stated.
2. BSC—Basic Spacing between Centers.

Package Mechanical Drawings (continued)  
 Ceramic Quad Flatpack (84-Pin CQFP)

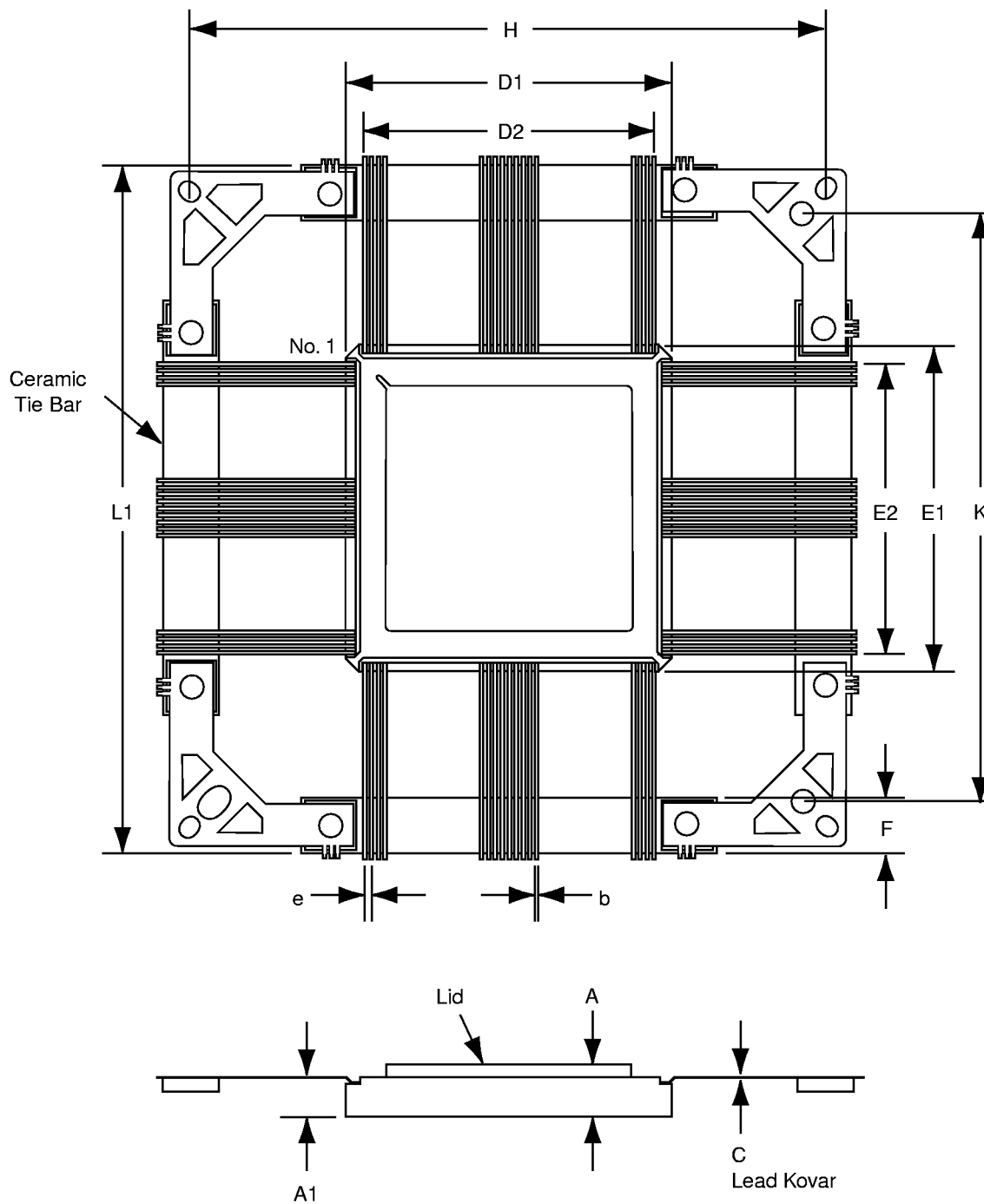


**Notes:**

1. Dimensions are in inches.
2. Seal Ring and Lid are connected to Ground.
3. Lead material is Kovar with gold plate over nickel.
4. Packages are shipped unformed with the ceramic tie bar in a test carrier.

Package Mechanical Drawings (continued)

Ceramic Quad Flatpack (CQFP—Cavity Up)



**Notes:**

1. All dimensions are in inches except CQ208 and CQ256 which are in millimeters.
2. Outside lead frame holes (from dimension H) are circular for the CQ208 and CQ256.
3. Seal ring and lid are connected to Ground.
4. Lead material is Kovar with minimum 60 micronches gold over nickel.
5. Packages are shipped unformed with the ceramic tie bar.
6. 32200DX - CQ208 has heat sink on the backside.

Ceramic Quad Flatpack (CQFP)

Symbol	CQ84			CQ132			CQ172			CQ196		
	Min	Nom.	Max	Min	Nom.	Max	Min	Nom.	Max	Min	Nom.	Max
A	0.070	0.090	0.100	0.094	0.105	0.116	0.094	0.105	0.116	0.094	0.105	0.116
A1	0.060	0.075	0.080	0.080	0.090	0.100	0.080	0.090	0.100	0.080	0.090	0.100
b	0.008	0.010	0.012	0.007	0.008	0.010	0.007	0.008	0.010	0.007	0.008	0.010
c	0.004	0.006	0.008	0.004	0.006	0.008	0.004	0.006	0.008	0.004	0.006	0.008
D1/E1	0.640	0.650	0.660	0.940	0.950	0.960	1.168	1.180	1.192	1.336	1.350	1.364
D2/E2	0.500 BSC			0.800 BSC			1.050 BSC			1.200 BSC		
e	0.025 BSC			0.025 BSC			0.025 BSC			0.025 BSC		
F	0.130	0.140	0.150	0.325	0.350	0.375	0.175	0.200	0.225	0.175	0.200	0.225
H	1.460 BSC			2.320 BSC			2.320 BSC			2.320 BSC		
K	—			2.140 BSC			2.140 BSC			2.140 BSC		
L1	1.595	1.600	1.615	2.485	2.500	2.505	2.485	2.495	2.505	2.485	2.495	2.505

**Note:**

1. All dimensions are in inches except CQ208 and CQ256, which is in millimeters.
2. BSC equals Basic Spacing between Centers. This is a theoretical true position dimension and so has no tolerance.

Ceramic Quad Flatpack (CQFP) (continued)

Symbol	CQ208			CQ256		
	Min	Nom.	Max	Min	Nom.	Max
A	2.78	3.17	3.56	2.28	2.67	3.06
A1	2.43	2.79	3.15	1.93	2.29	2.65
b	0.18	0.20	0.22	0.18	0.20	0.22
c	0.11	0.15	0.17	0.11	0.15	0.18
D1/E1	28.96	29.21	29.46	35.64	36.00	36.36
D2/E2	25.5 BSC			31.5 BSC		
e	0.50 BSC			0.50 BSC		
F	7.05	7.75	8.45	7.05	7.75	8.45
H	70.00 BSC			70.00 BSC		
K	65.90 BSC			65.90 BSC		
L1	74.60	75.00	75.40	74.60	75.00	75.40

**Note:**

1. All dimensions are in inches except CQ208 and CQ256, which is in millimeters.
2. BSC equals Basic Spacing between Centers. This is a theoretical true position dimension and so has no tolerance.